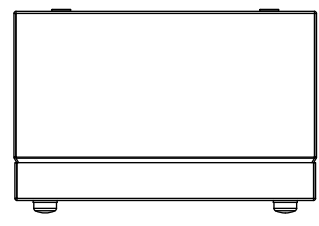
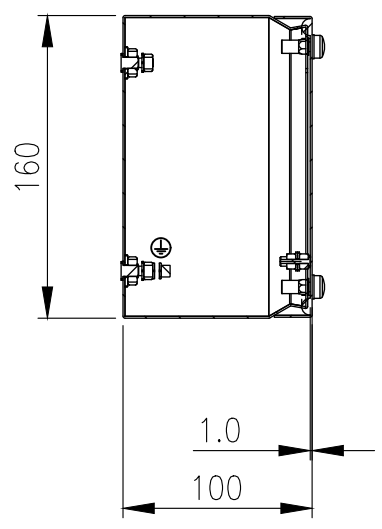


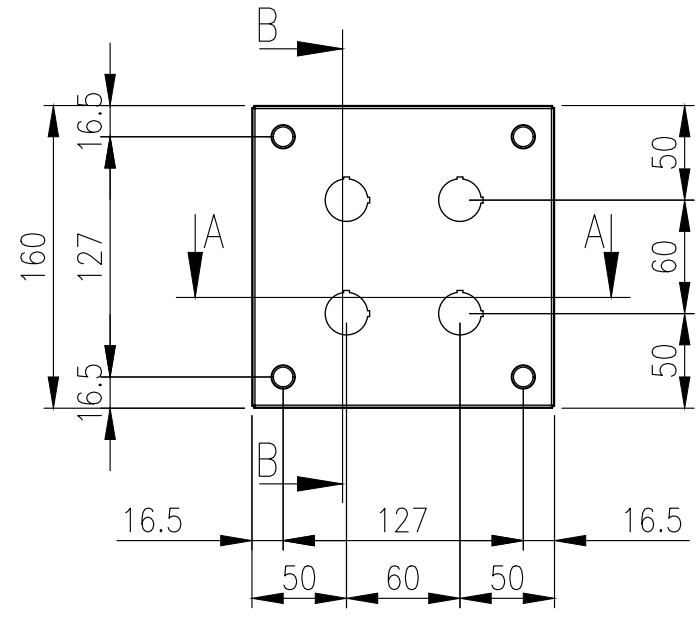
RevNo	Revision note	Date	Signature	Checked
1	GENERAL REVISION	09/05/25	IP	IP



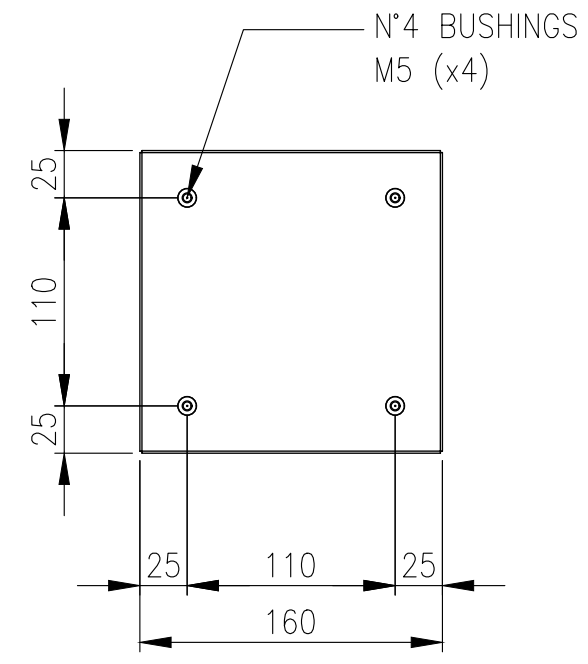
TOP VIEW



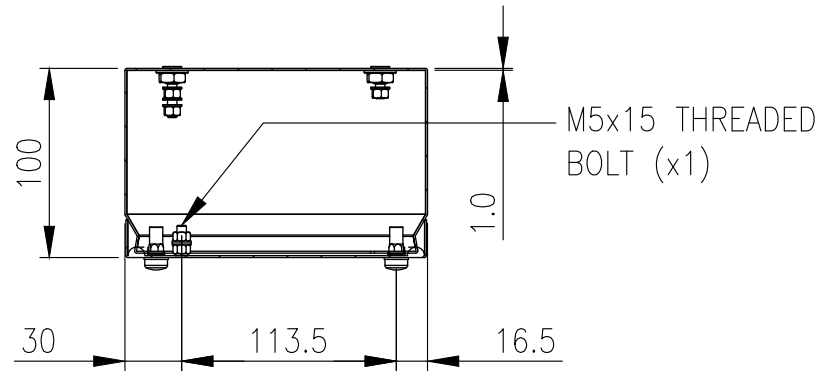
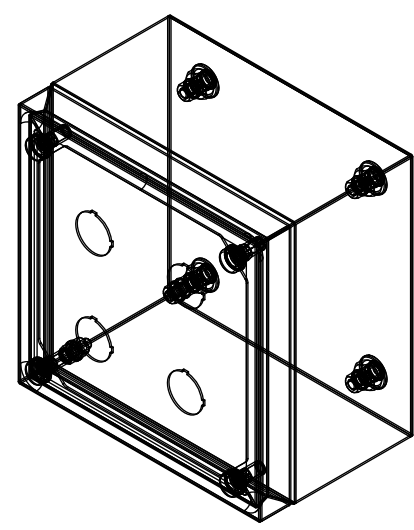
SECTION B-B



FRONT VIEW



REAR VIEW



SECTION A-A

**MATERIAL**  
 BODY: 1.0mm 304 STAINLESS STEEL  
 DOOR: 1.0mm 304 STAINLESS STEEL  
 SEAL: SILICONE  
 WASHER: NBR 70 (NITRILE BUTADIENE RUBBER)  
 PROTECTION: IP66, IP67, IP69K, NEMA 4x, UL 508A

© IP ENCLOSURES 2022.  
 THIS DRAWING SHALL NOT BE COPIED OR REPRODUCED  
 WITHOUT AUTHORISATION FROM IP ENCLOSURES.  
 www.ipenclosures.com.au

Itemref	Quantity	Title/Name, designation, material, dimension etc	Article No./Reference
IP	1	160x160x100 304SS PUSHBUTTON BOX	IP-304-P2X2
IP	1	M5x15 THREADED BOLT (x1)	IP-304-P2X2



160x160x100 304SS PUSHBUTTON BOX  
 IP-304-P2X2  
 Edition 1  
 Sheet 1/1