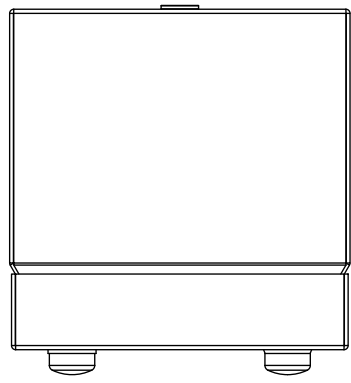
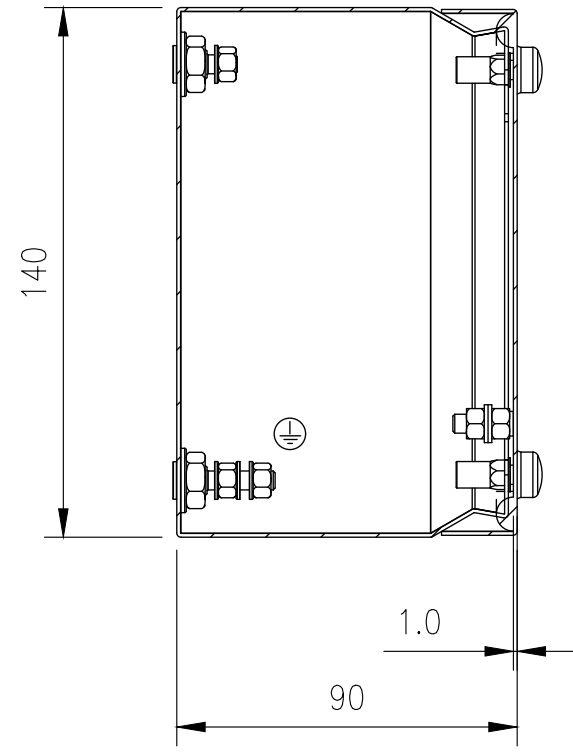


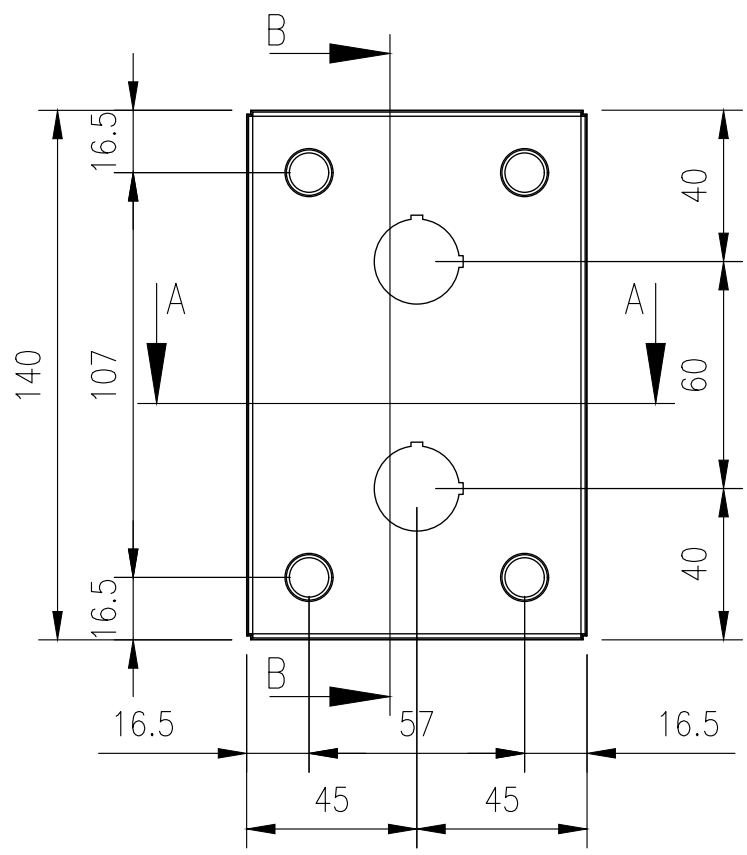
RevNo	Revision note	Date	Signature	Checked
1	GENERAL REVISION	09/05/25	IP	IP



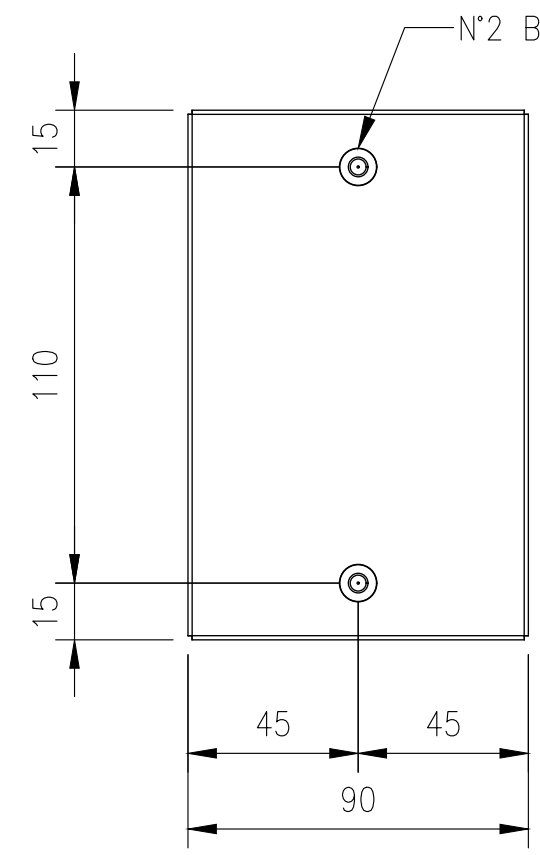
TOP VIEW



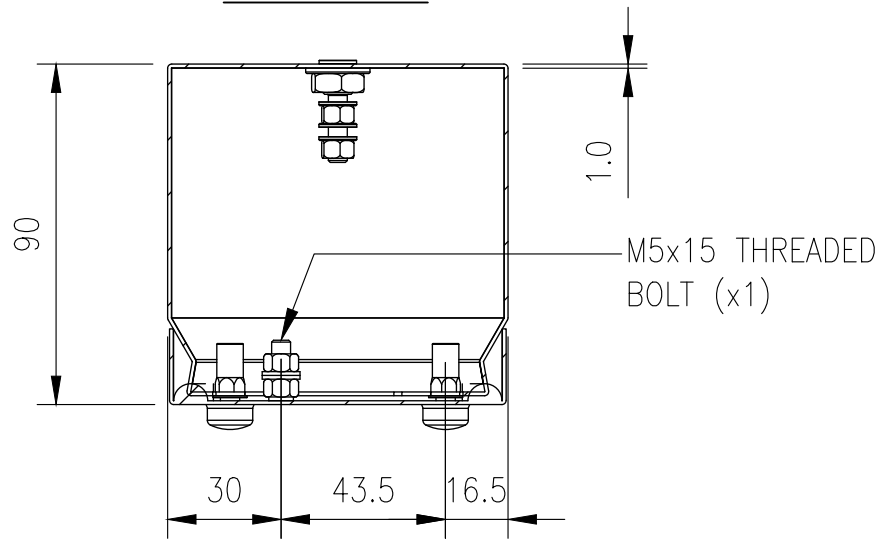
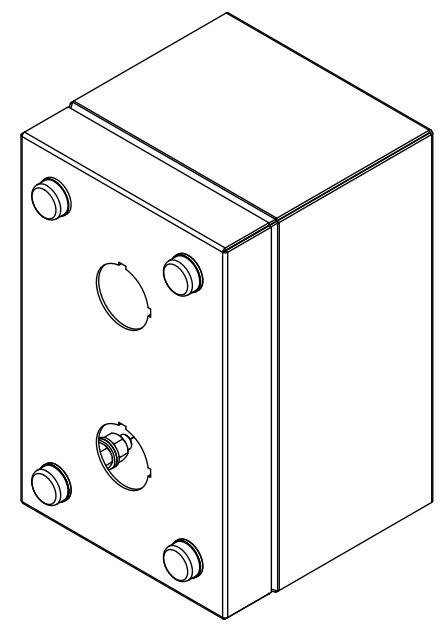
SECTION B-B



FRONT VIEW



REAR VIEW



SECTION A-A

N°2 BUSHINGS M5 (x2)

M5x15 THREADED BOLT (x1)

MATERIAL
 BODY: 1.0mm 304 STAINLESS STEEL
 DOOR: 1.0mm 304 STAINLESS STEEL
 SEAL: SILICONE
 WASHER: NBR 70 (NITRILE BUTADIENE RUBBER)
 PROTECTION: IP66, IP67, IP69K, NEMA 4x, UL 508A

© IP ENCLOSURES 2022.
 THIS DRAWING SHALL NOT BE COPIED OR REPRODUCED
 WITHOUT AUTHORISATION FROM IP ENCLOSURES.
 www.ipenclosures.com.au

Itemref	Quantity	Title/Name, designation, material, dimension etc	Article No./Reference
IP	1	140x90x90 304SS PUSHBUTTON BOX	IP-304-P2
Designed by	Checked by	Approved by - date	Filename
IP	IP	27/07/22	IP-304-P2
Date	Scale	Edition	
27/07/22	1:2	1	Sheet
		1	1/1