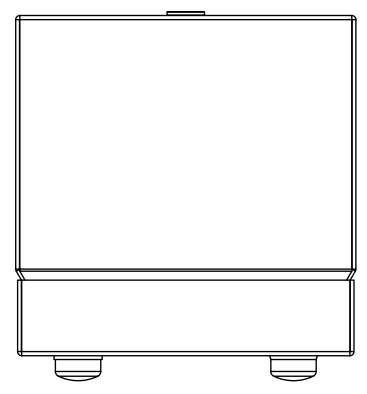
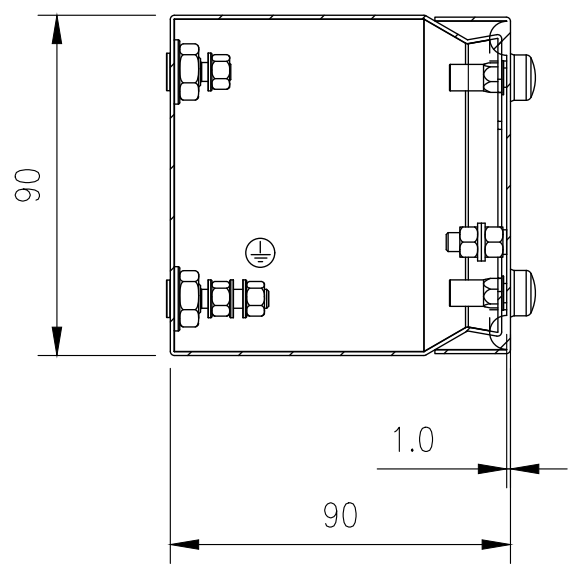


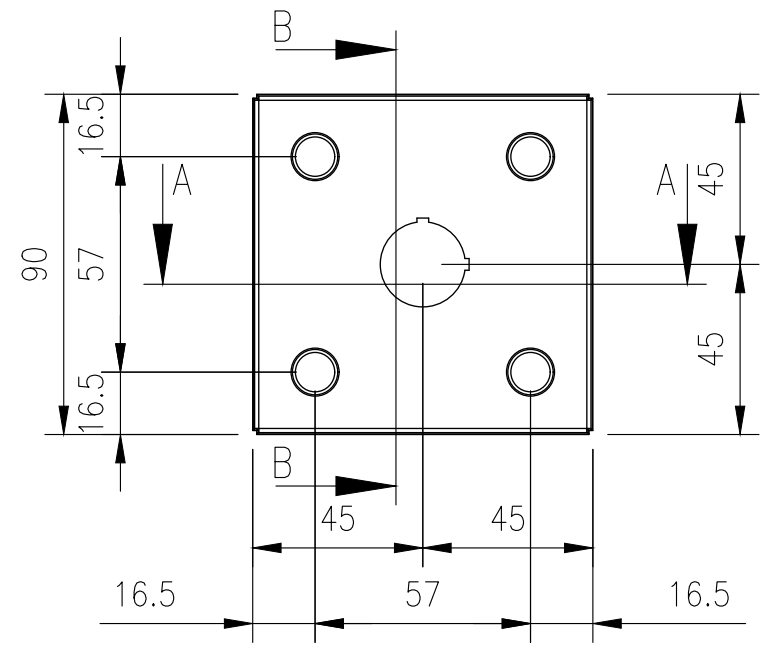
RevNo	Revision note	Date	Signature	Checked
1	GENERAL REVISION	09/05/25	IP	IP



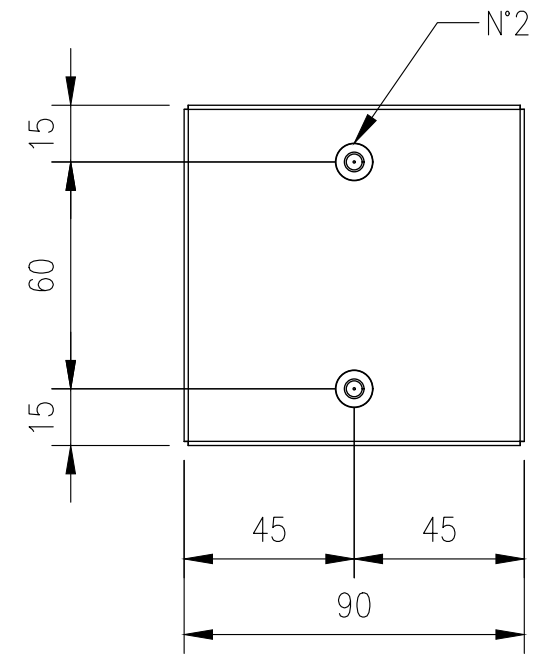
TOP VIEW



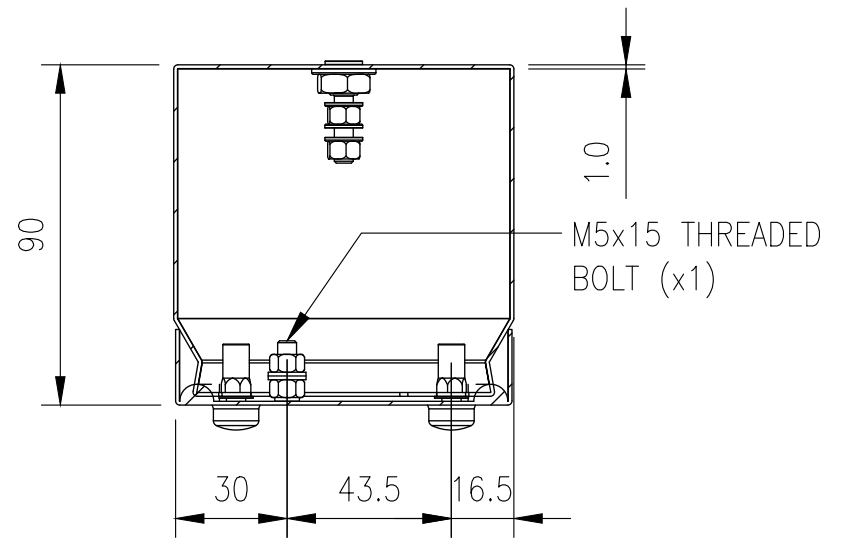
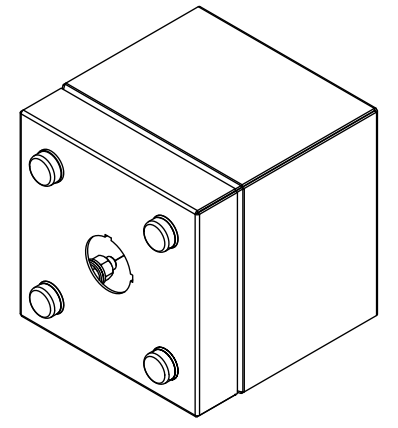
SECTION B-B



FRONT VIEW



REAR VIEW



SECTION A-A

MATERIAL
 BODY: 1.0mm 304 STAINLESS STEEL
 DOOR: 1.0mm 304 STAINLESS STEEL
 SEAL: SILICONE
 WASHER: NBR 70 (NITRILE BUTADIENE RUBBER)
 PROTECTION: IP66, IP67, IP69K, NEMA 4x, UL 508A

© IP ENCLOSURES 2022.
 THIS DRAWING SHALL NOT BE COPIED OR REPRODUCED
 WITHOUT AUTHORISATION FROM IP ENCLOSURES.
 www.ipenclosures.com.au

Itemref	Quantity	Title/Name, designation, material, dimension etc	Article No./Reference
IP	1	90x90x90 304SS PUSHBUTTON BOX	IP-304-P1
IP	1	M5x15 THREADED BOLT	IP-304-P1



90x90x90 304SS PUSHBUTTON BOX
 IP-304-P1
 Edition 1
 Sheet 1/1