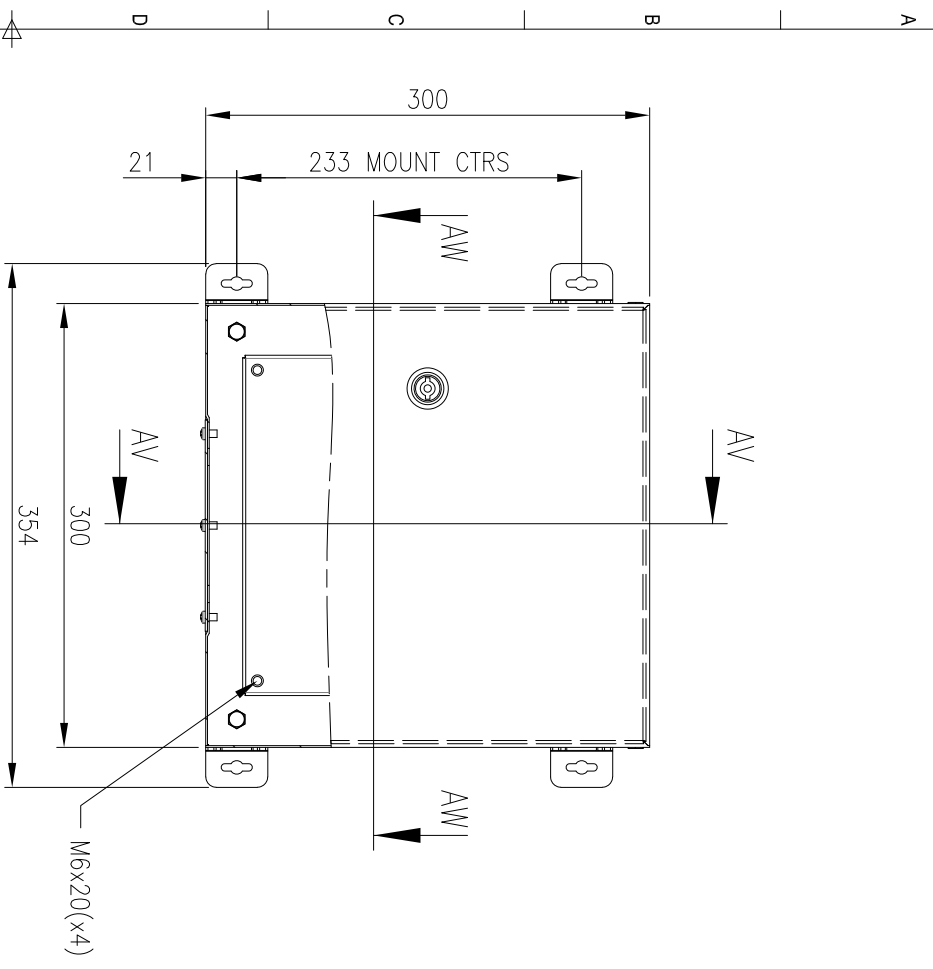
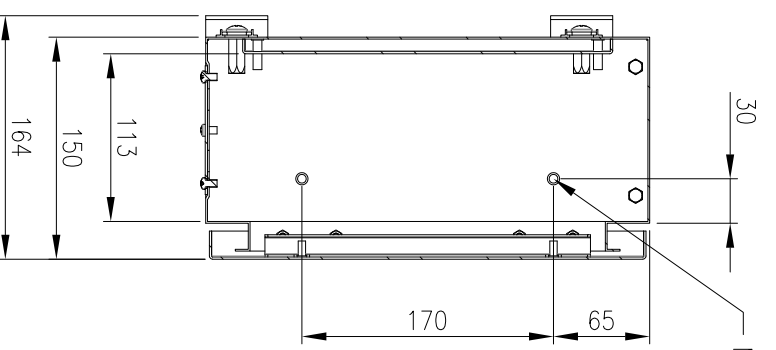


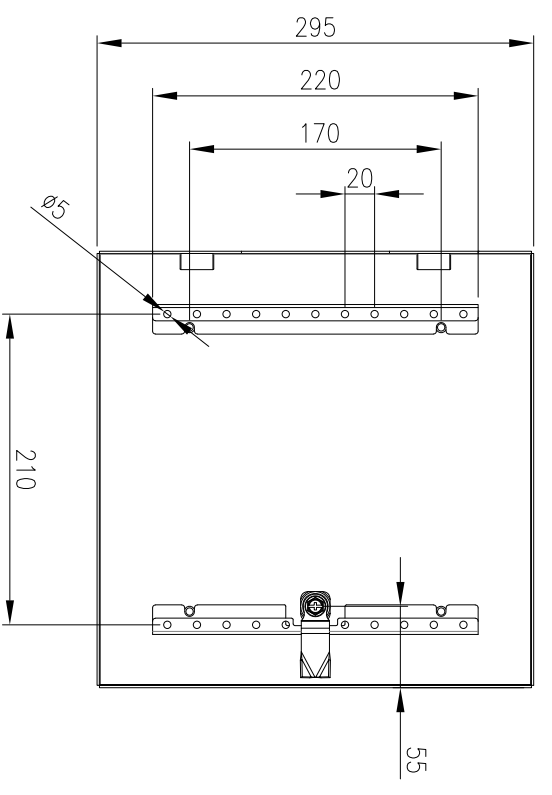
RevNo	Revision note	Date	Signature	Checked
1	GENERAL REVISION	9/8/17	IP	IP



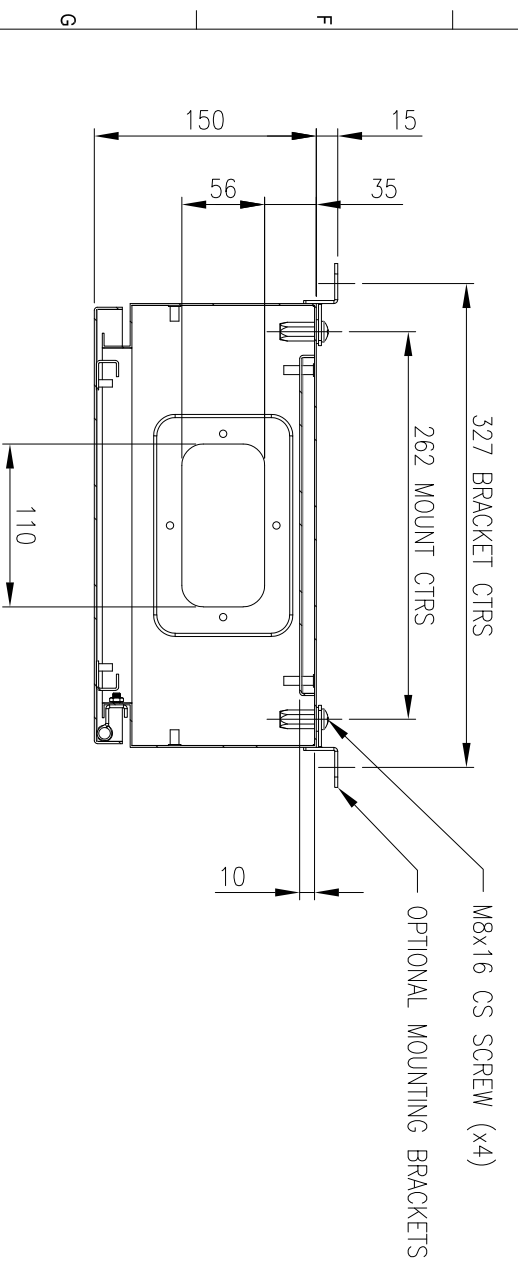
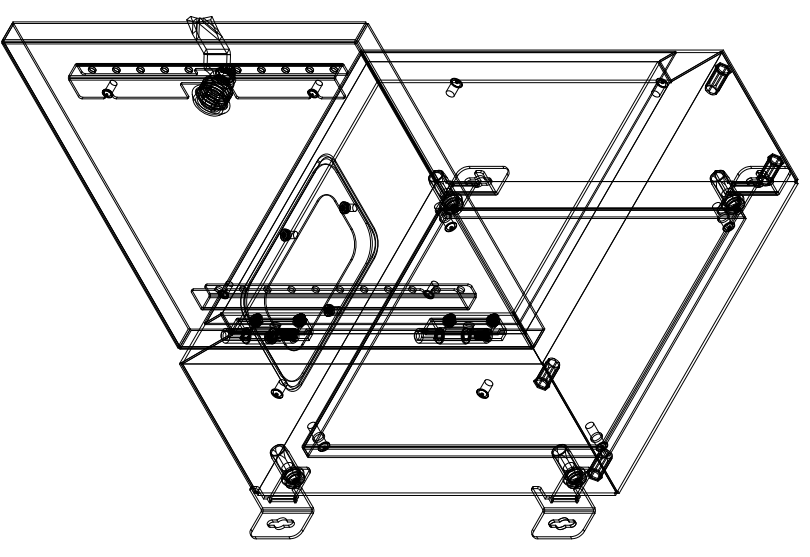
FRONT VIEW



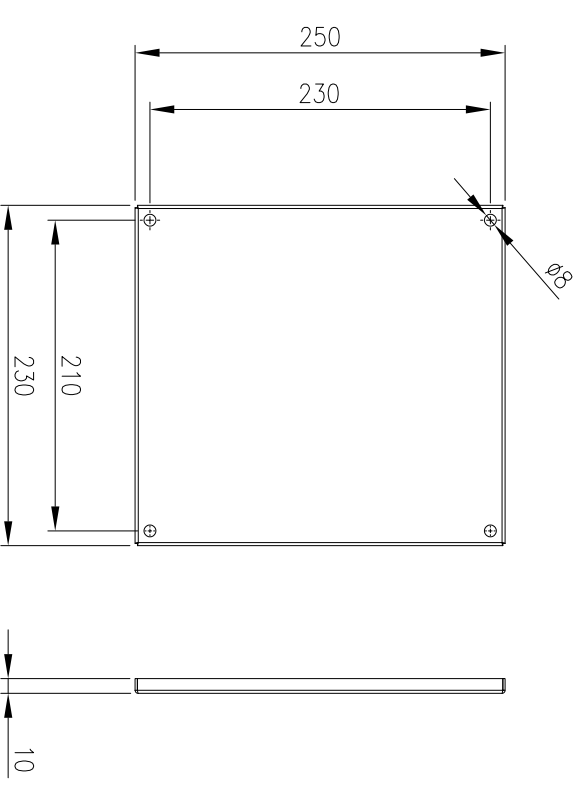
SECTION AV-AV



INSIDE DOOR VIEW



SECTION AW-AW



DEVICE MOUNTING PLATE

MATERIAL
 BODY: 1.2mm GALVANISED STEEL SHEET
 DOOR: 1.5mm GALVANISED STEEL SHEET
 DEVICE PLATE: 1.5mm GALVANISED STEEL SHEET
 SEAL: POLYURETHANE
 SURFACE TREATMENT: POWDER-COAT 80-120micron

MASS: 5.0kg
 PROTECTION: IP66 IK10, NEMA4
 STANDARD: IEC/EN/AS62208, IEC/EN/AS60529

© IP ENCLOSURES 2016.
 THIS DRAWING SHALL NOT BE COPIED OR REPRODUCED
 WITHOUT AUTHORISATION FROM IP ENCLOSURES.
 www.ipenclosures.com.au

Item	Quantity	Part/Name, designation, material, dimension etc.	Article No./Reference	Scale
IP Enclosures				1:5
IP		Designed by: IP	File name: IP-300x150-01	1:5
		Checked by: IP	Date: 17/10/16	1:5
		Approved by: -date	17/10/16	1:5
		300x300x150 STEEL ENCLOSURE		
		IP-303015-01		
		1	1	1/1