

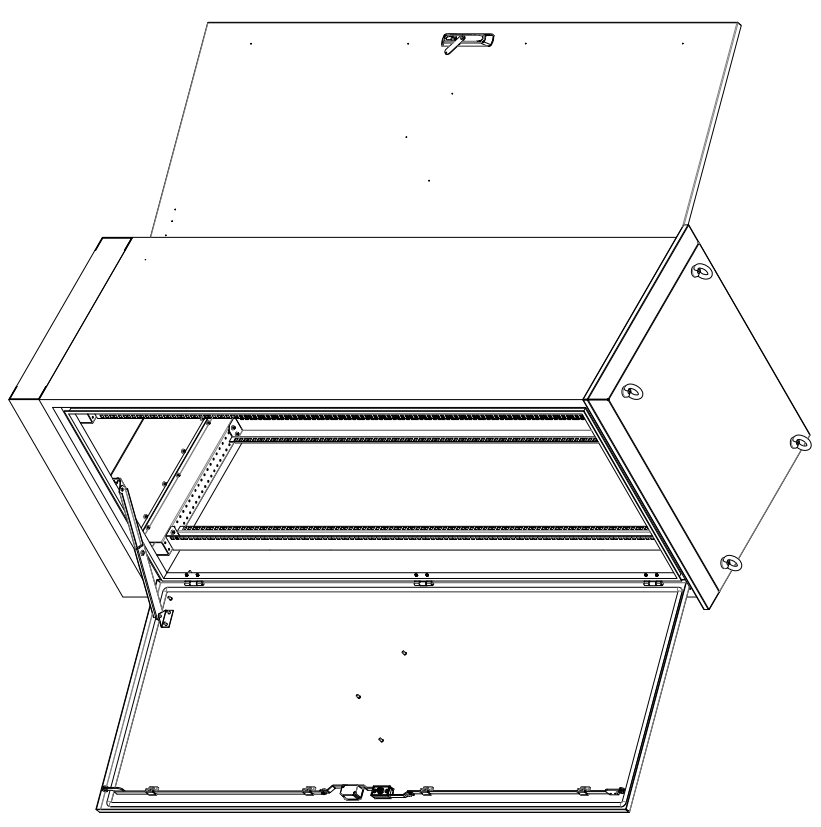
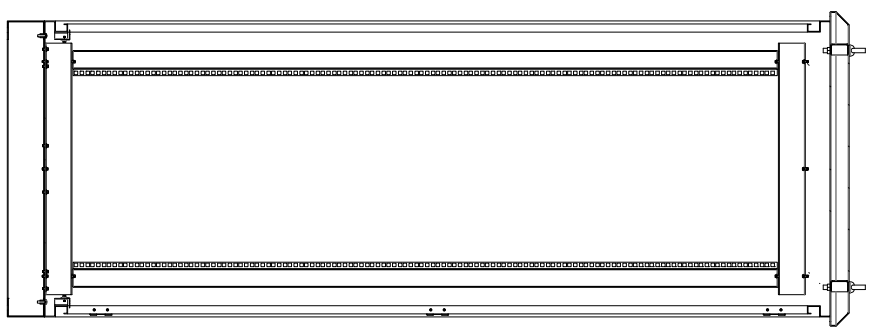
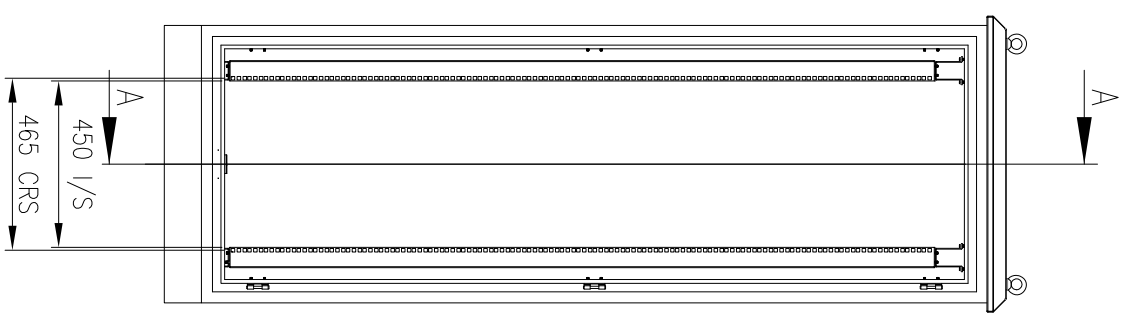
SIDE VIEW

FRONT VIEW
(ASSEMBLY)

SIDE VIEW

FRONT VIEW
(FRONT DOOR REMOVED)

SECTION A-A



MATERIAL
 BODY AND PLINTH: 2.0mm GALVANISED STEEL SHEET
 DOORS: 2.0mm POWDERCOATED GALVANISED SHEET
 19" DATA RAILS: 1.5mm GALVANISED STEEL SHEET
 SEAL: POLYURETHANE
 SURFACE TREATMENT: POWDER-COAT 80-120micron
 COLOUR: T33 SMOKE BLUE, SMOOTH FINISH

PROTECTION: IP66
 STANDARD: IEC62208, IEC/EN/AS60529, EIA-310D

© IP ENCLOSURES 2017.
 THIS DRAWING SHALL NOT BE COPIED OR REPRODUCED
 WITHOUT AUTHORISATION FROM IP ENCLOSURES.
 www.ipenclosures.com.au

Item#	Quantity	TradeName, designation, material, dimension etc.	Article No/Reference	Scale
IP	1	42RU Cabinet 2275x750x800 (NO VENTS)	IP-2277580-0-133	1:20
IP	2			1/1"

