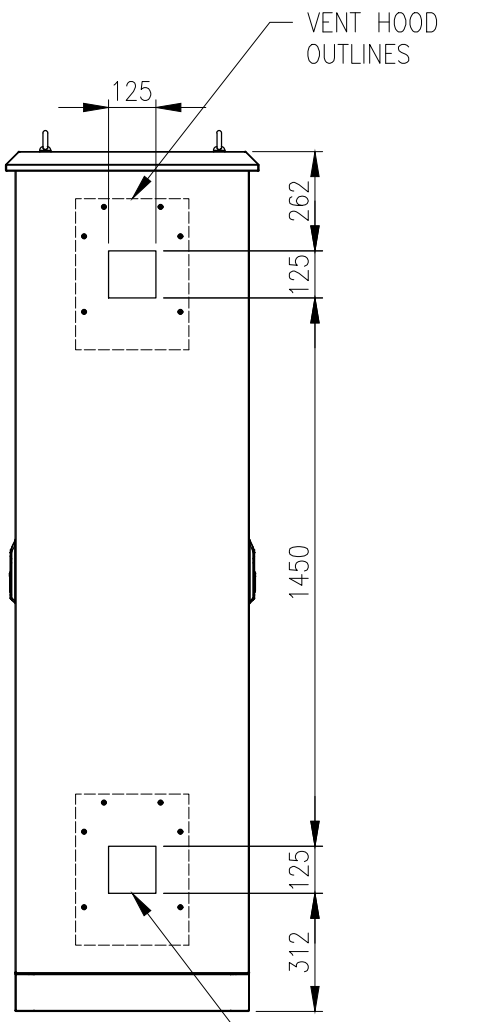
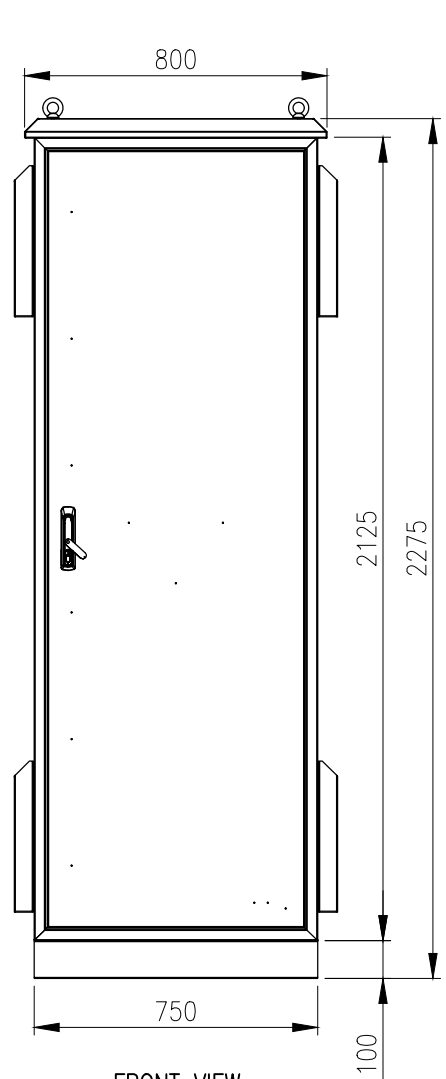


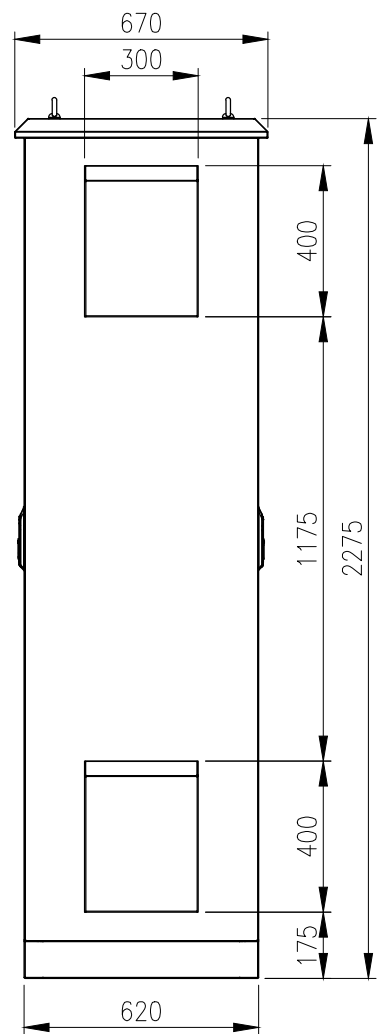
RevNo	Revision note	Date	Signature	Checked
3	GENERAL REVISION	23/10/24	IP	IP



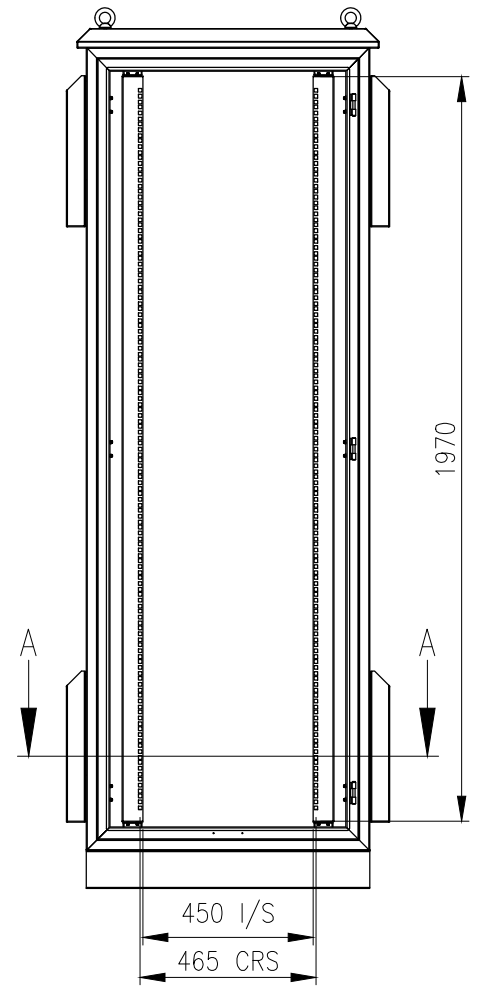
LEFT SIDE VIEW
CUTOUTS FOR FANS & FILTERS



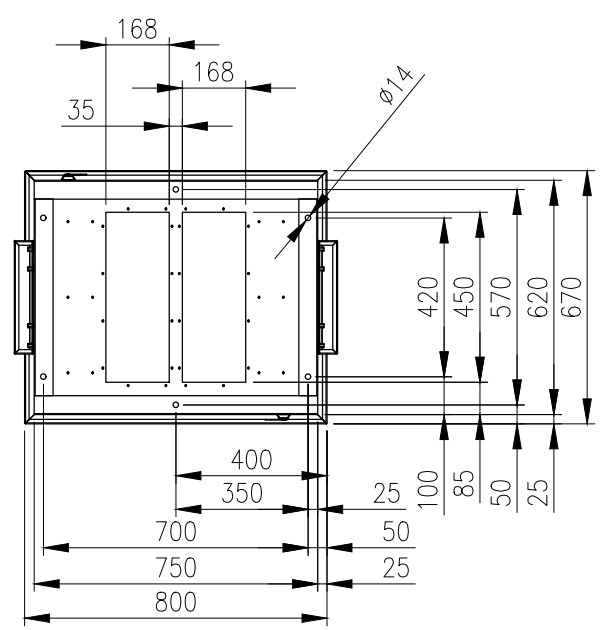
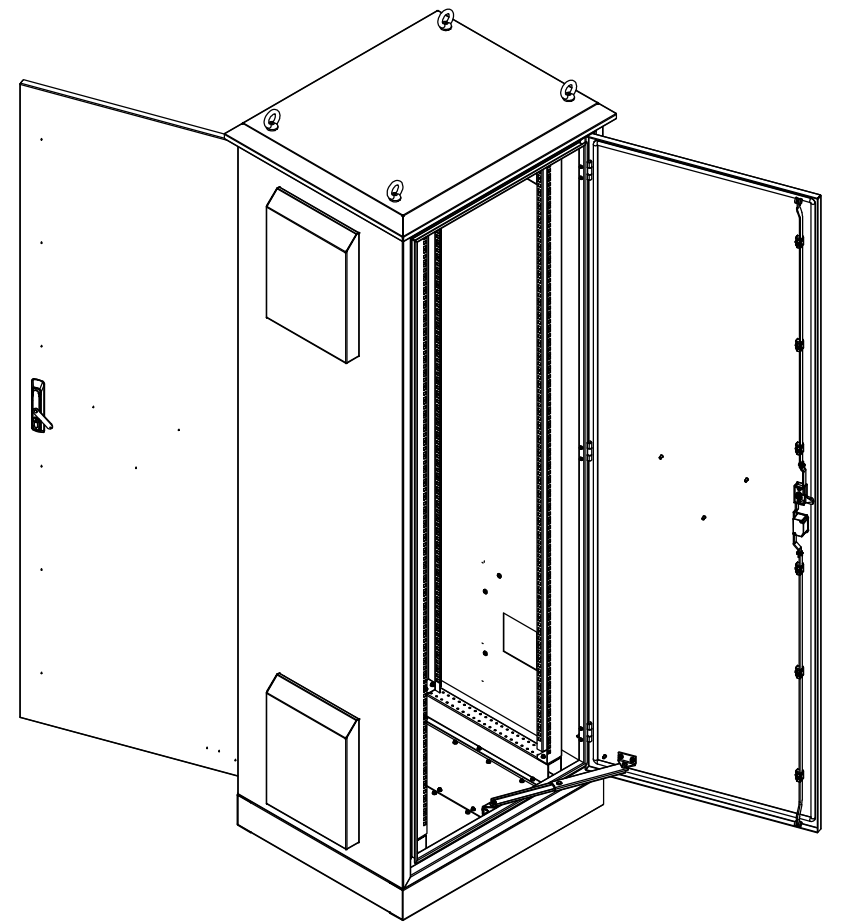
FRONT VIEW (ASSEMBLY)



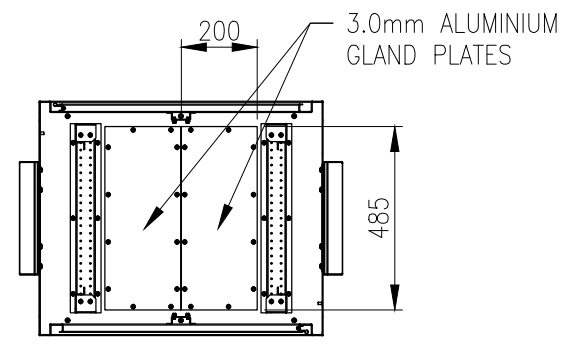
RIGHT SIDE VIEW



FRONT VIEW (FRONT DOOR REMOVED)



BOTTOM VIEW



SECTION A-A

MATERIAL
 BODY AND PLINTH: 2.0mm GALVANISED STEEL SHEET
 DOORS: 2.0mm GALVANISED STEEL SHEET
 19" DATA RAILS: 1.5mm GALVANISED STEEL SHEET
 GLAND PLATE: 3.0mm ALUMINIUM
 SEAL: POLYURETHANE
 SURFACE TREATMENT: POWDER-COAT 80-120micron
 COLOUR: T33 SMOKE BLUE, SMOOTH FINISH

PROTECTION: IP55 IK10 (EXCLUDING FAN/
 FILTER CUTOUTS)
 STANDARD: IEC/EN62208, IEC/EN/AS60529, EIA-310D

© IP ENCLOSURES 2017.
 THIS DRAWING SHALL NOT BE COPIED OR REPRODUCED
 WITHOUT AUTHORISATION FROM IP ENCLOSURES.
 www.ipenclosures.com.au

Itemref	Quantity	Title/Name, designation, material, dimension etc	Article No./Reference
IP	1	42RU IP55 19" CABINET 2275x750x620	IP-2277562-T33
Designed by	Checked by	Approved by - date	Filename
IP	IP	05/06/19	IP-2277562-T33
Date	Scale	Edition	
05/06/19	1:20	3	
Sheet			1/1