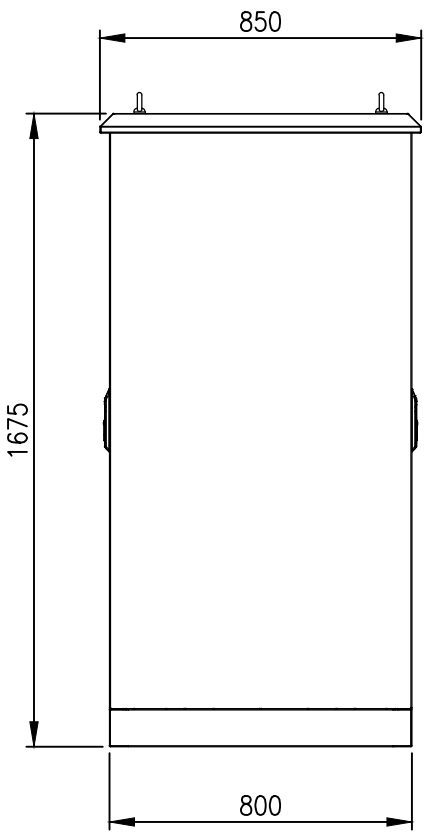
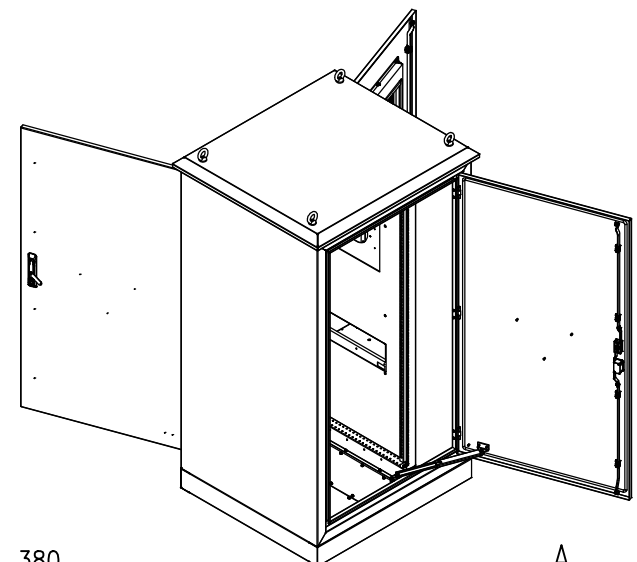
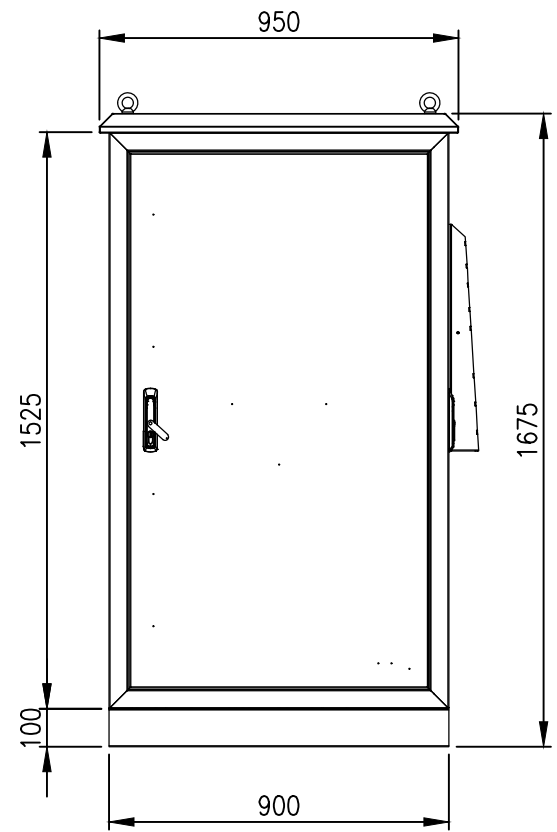


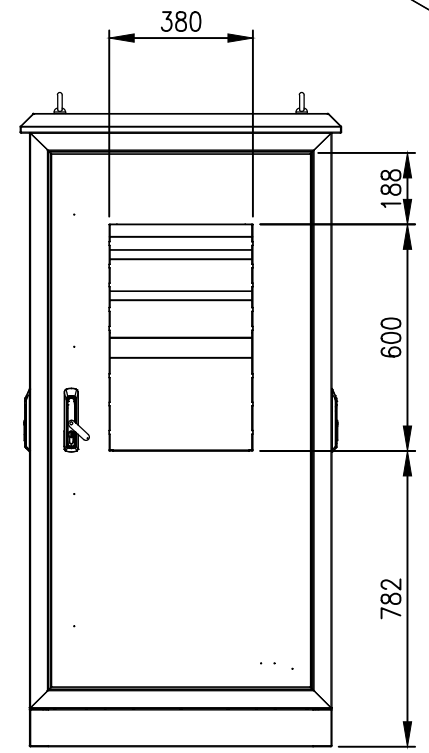
FRONT VIEW



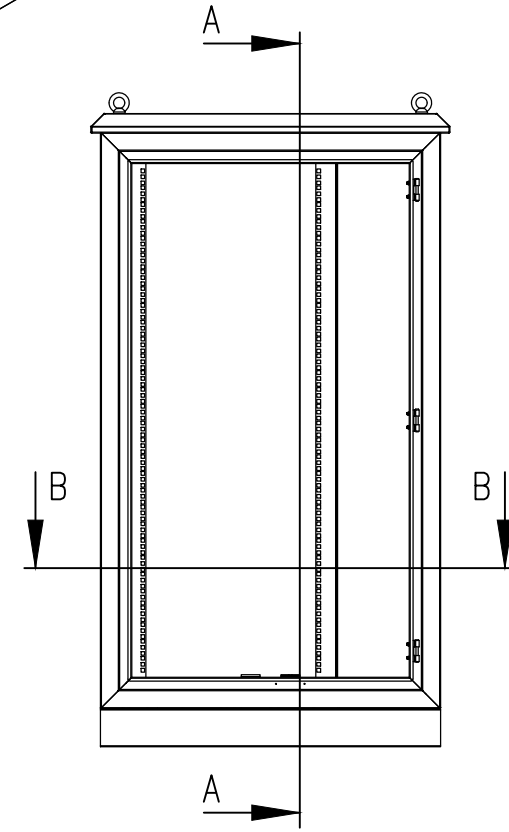
LEFT SIDE VIEW



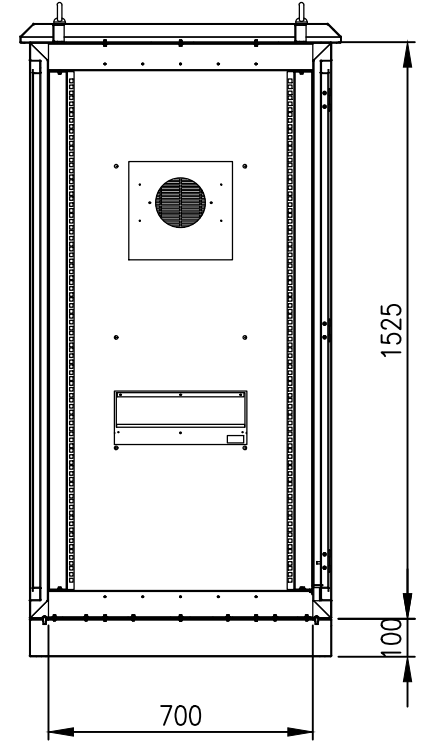
FRONT VIEW



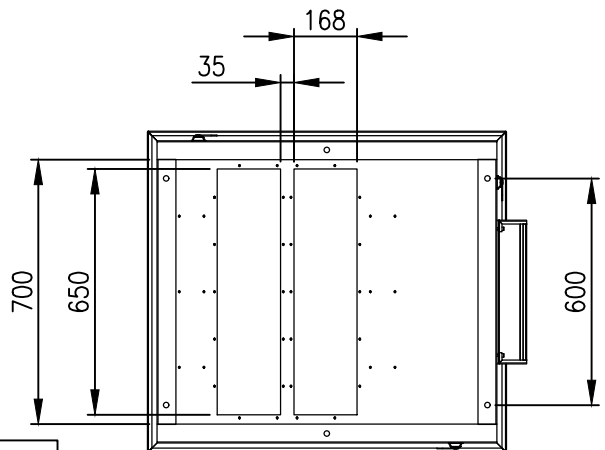
RIGHT SIDE VIEW



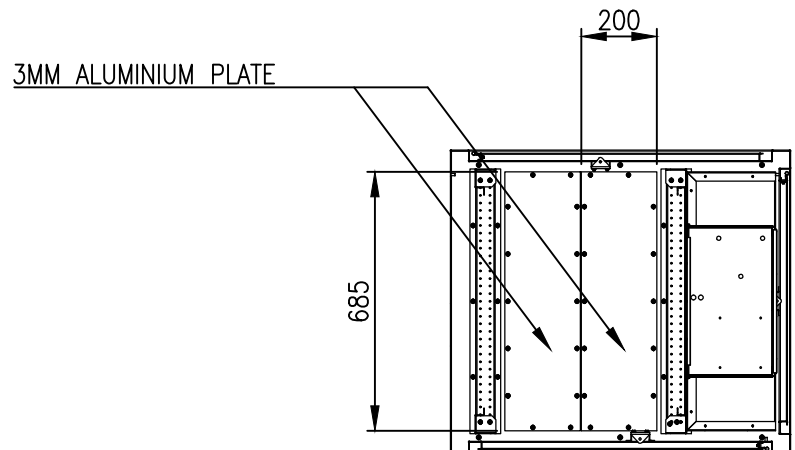
INTERIOR VIEW-DOOR REMOVED



SECTION A-A



BOTTOM VIEW



SECTION B-B

**MATERIAL**  
 BODY AND PLINTH: 2.0mm GALVANISED STEEL SHEET  
 DOORS: 2.0mm GALVANISED STEEL SHEET  
 19" DATA RAILS: 1.5mm GALVANISED STEEL SHEET  
 GLAND PLATE: 3.0mm ALUMINIUM  
 SEAL: POLYURETHANE  
 SURFACE TREATMENT: POWDER-COAT 80-120micron  
 COLOUR: T33 SMOKE BLUE, SMOOTH FINISH

PROTECTION: IP55  
 STANDARD: IEC62208, IEC/EN/AS60529, EIA-310D

© IP ENCLOSURES 2022.  
 THIS DRAWING SHALL NOT BE COPIED OR REPRODUCED  
 WITHOUT AUTHORISATION FROM IP ENCLOSURES.  
 www.ipenclosures.com.au

|                   |                  |  |                                  |
|-------------------|------------------|--|----------------------------------|
| Itemref           | Quantity         | Title/Name, designation, material, dimension etc | Article No./Reference            |
| Designed by<br>IP | Checked by<br>IP | Approved by - date<br>22/07/22                   | Filename<br>IP-1679080-AC145-133 |
| Date<br>22/07/22  | Scale<br>1:20    | 30RU IP55 1675Hx900Wx800D STEEL AC FIELD CABINET |                                  |
| Edition<br>0      |                  | Sheet<br>1/1                                     |                                  |