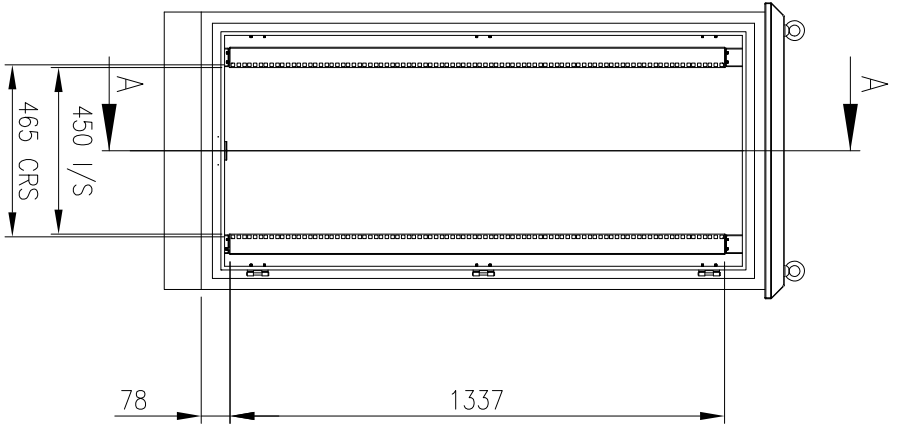
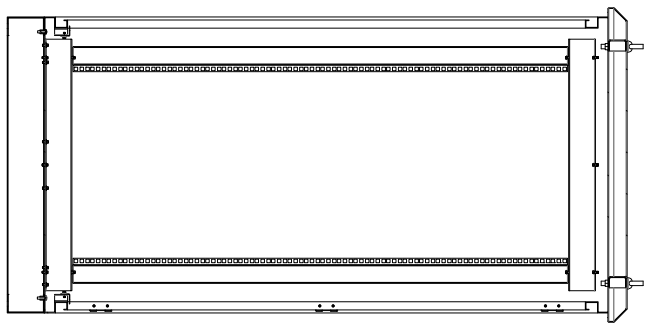


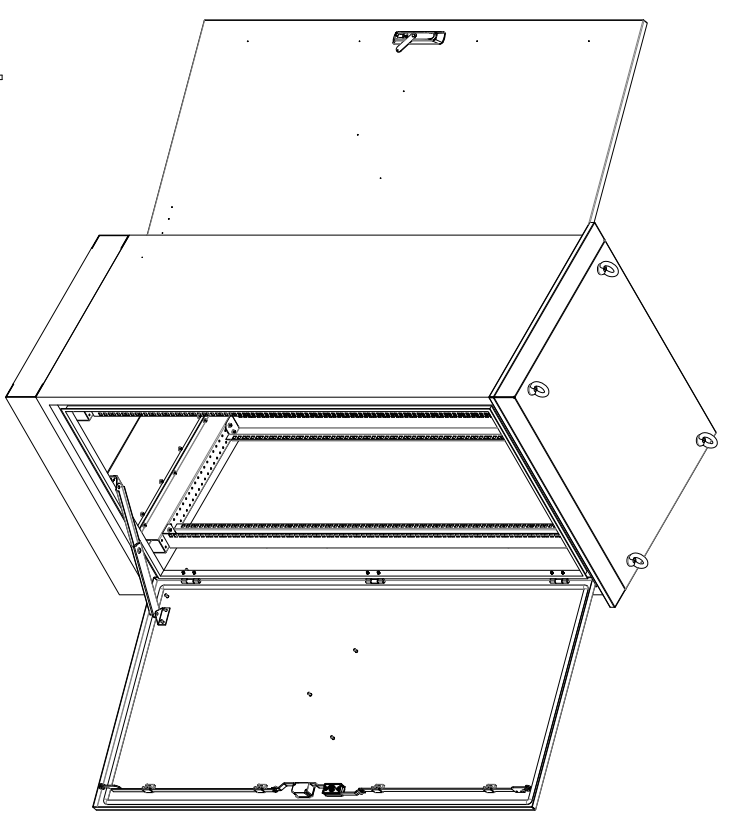
SIDE VIEW
FRONT VIEW (ASSEMBLY)



FRONT VIEW (FRONT DOOR REMOVED)



SECTION A-A



MATERIAL
 BODY AND PLINTH: 2.0mm GALVANISED STEEL SHEET
 DOORS: 2.0mm POWDERCOATED GALVANISED SHEET
 19" DATA RAILS: 1.5mm GALVANISED STEEL SHEET
 SEAL: POLYURETHANE
 SURFACE TREATMENT: POWDER-COAT 80-120micron
 COLOUR: T33 SMOKE BLUE, SMOOTH FINISH

PROTECTION: IP66
 STANDARD: IEC62208, IEC/EN/AS60529, EIA-310D

© IP ENCLOSURES 2017.
 THIS DRAWING SHALL NOT BE COPIED OR REPRODUCED
 WITHOUT AUTHORISATION FROM IP ENCLOSURES.
 www.ipenclosures.com.au

Item#	Quantity	Title/Items, designation, material, dimension etc.		Article No./Reference	Scale
IP	1	Checked by	IP	Date	1:20
IP	1	Approved by	IP	Date	1:20
IP	1	Designed by	IP	Date	1:20
30RU CABINET 1675x750x800 (NO VENTS)		Filename	IP-1677580-0-133	Edition	2
IP-1677580-0-133		Sheet	1/1		

