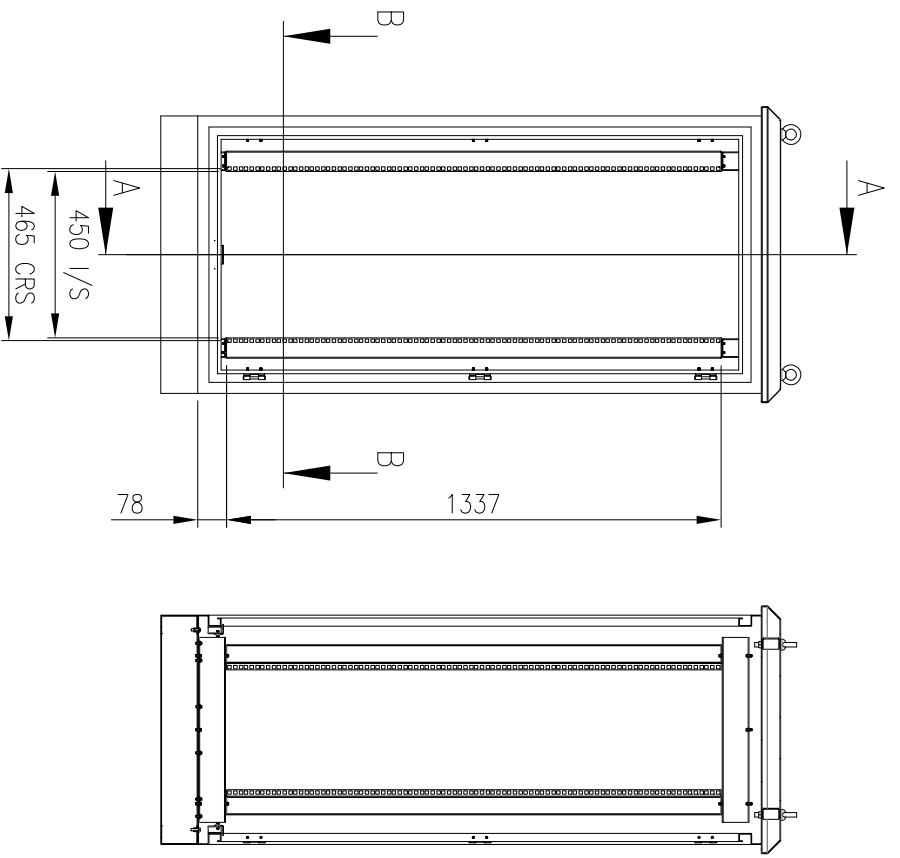


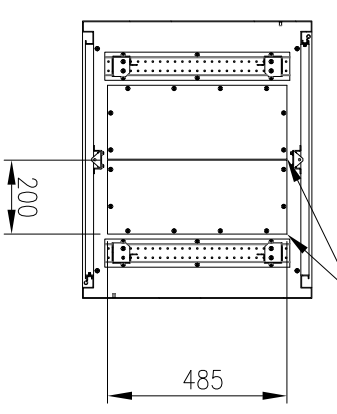
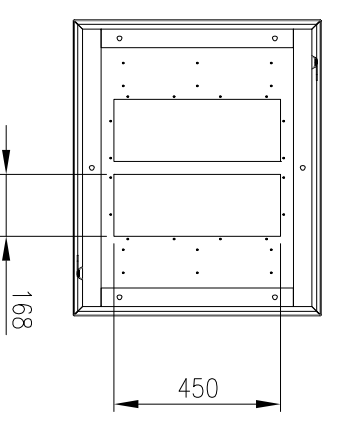
FRONT VIEW  
(ASSEMBLY)

SIDE VIEW

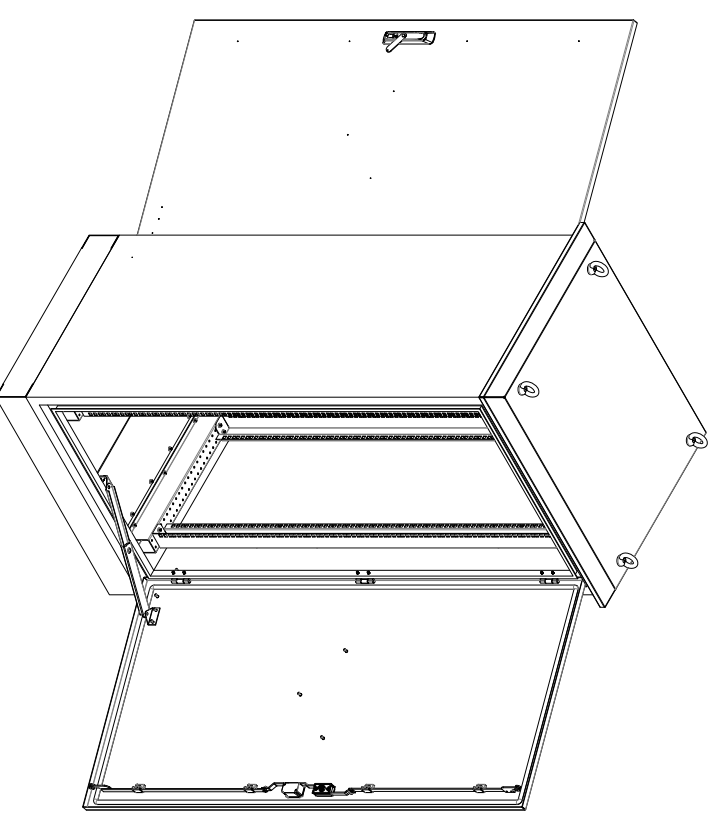


FRONT VIEW  
(FRONT DOOR REMOVED)

SECTION A-A



SECTION B-B



**MATERIAL**  
 BODY AND PLINTH: 2.0mm GALVANISED STEEL SHEET  
 DOORS: 2.0mm POWDERCOATED GALVANISED SHEET  
 19" DATA RAILS: 1.5mm GALVANISED STEEL SHEET  
 SEAL: POLYURETHANE  
 SURFACE TREATMENT: POWDER-COAT 80-120micron  
 COLOUR: T33 SMOKE BLUE, SMOOTH FINISH

PROTECTION: IP66  
 STANDARD: IEC62208, IEC/EN/AS60529, EIA-310D

© IP ENCLOSURES 2017.  
 THIS DRAWING SHALL NOT BE COPIED OR REPRODUCED  
 WITHOUT AUTHORISATION FROM IP ENCLOSURES.  
 www.ipenclosures.com.au

Item#	Quantity	TradeName, designation, material, dimension etc.	Article No./Reference	Scale
IP		Designed by	05/06/19	1:20
IP		Checked by	05/06/19	
		Approved by - date	05/06/19	
		Filename	30RU CABINET 1675x750x620 (NO VENTS)	
		IP - 1677562-0-133		
		Edition	2	Sheet
				1/1