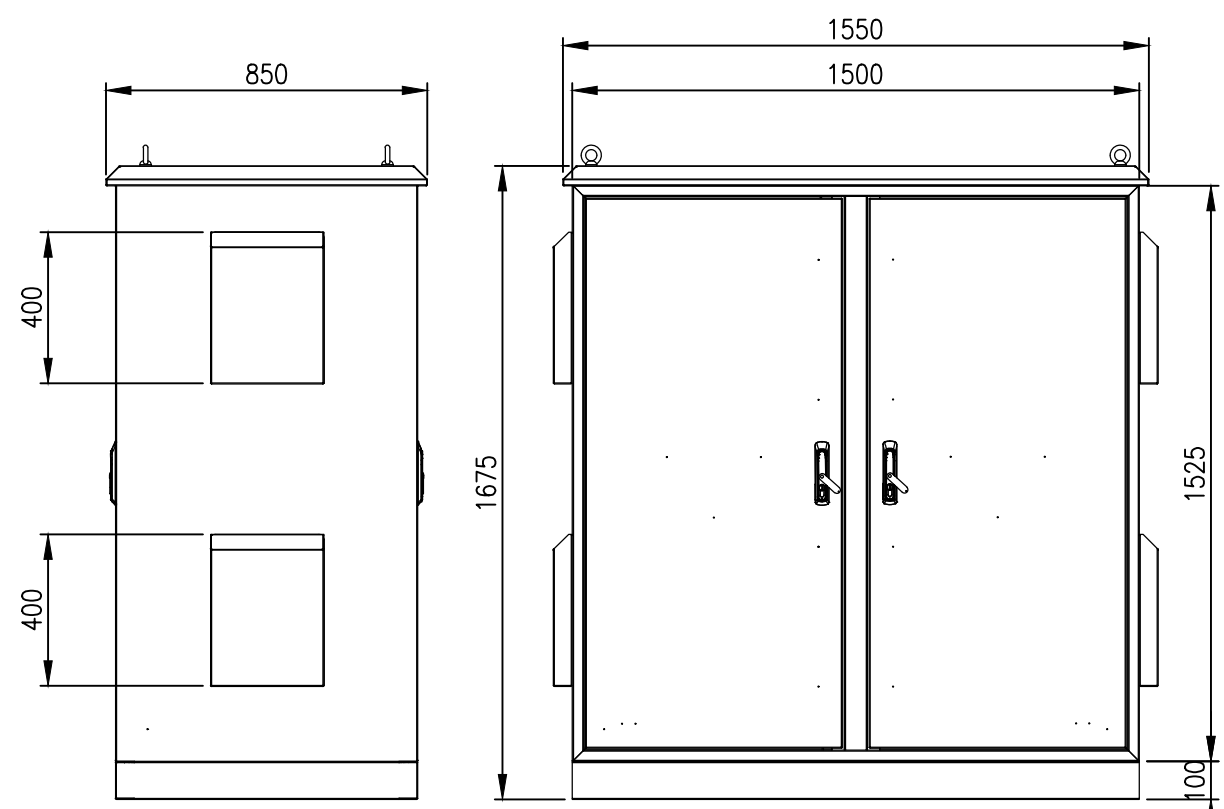
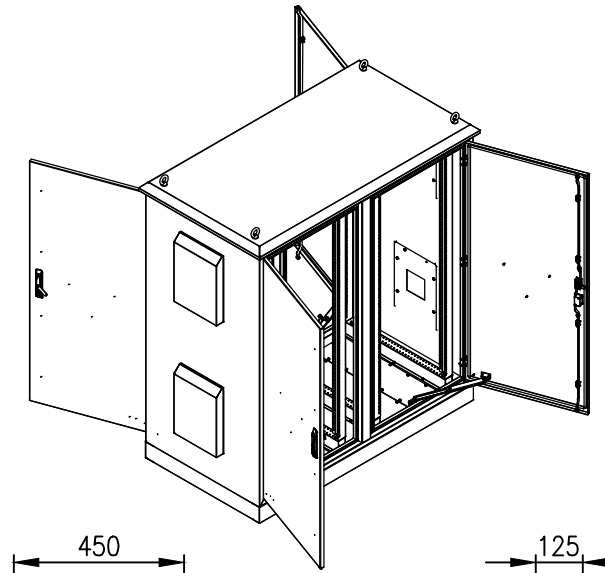
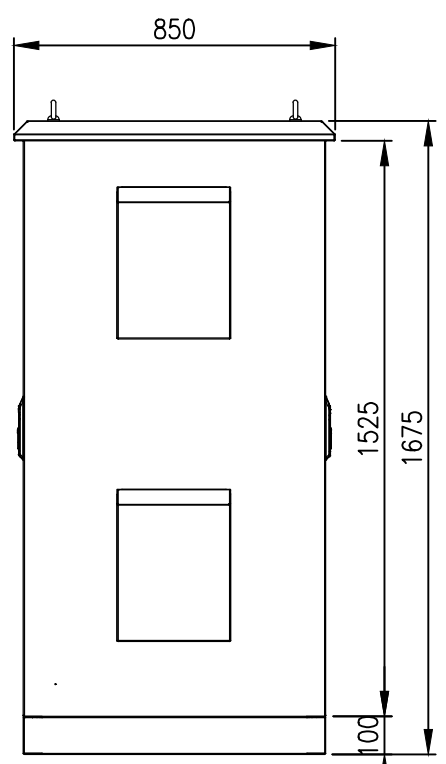


TOP VIEW

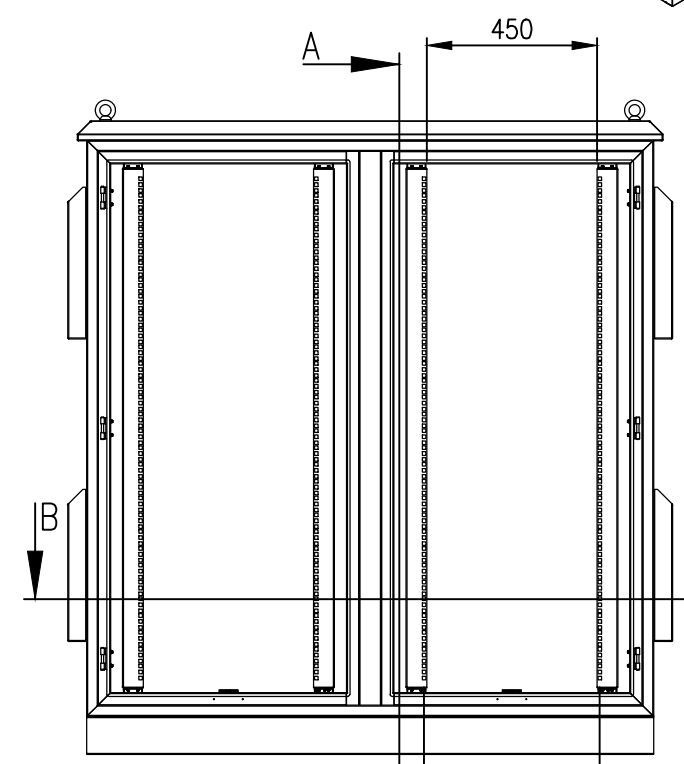


LEFT SIDE VIEW

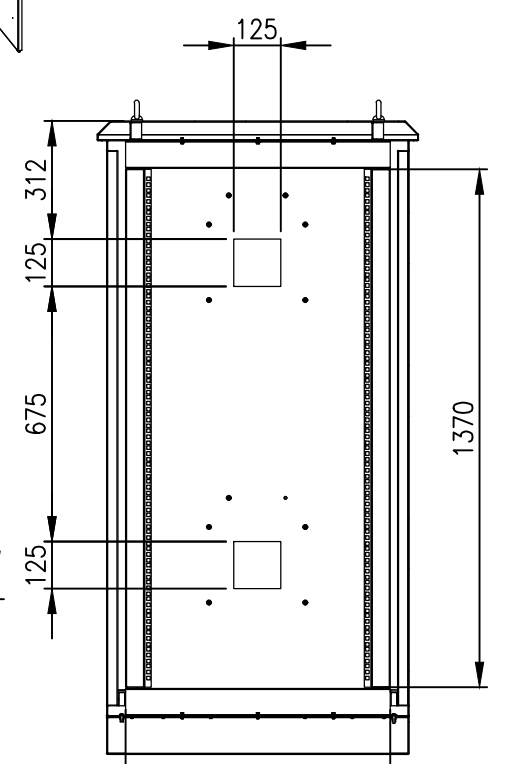
FRONT VIEW



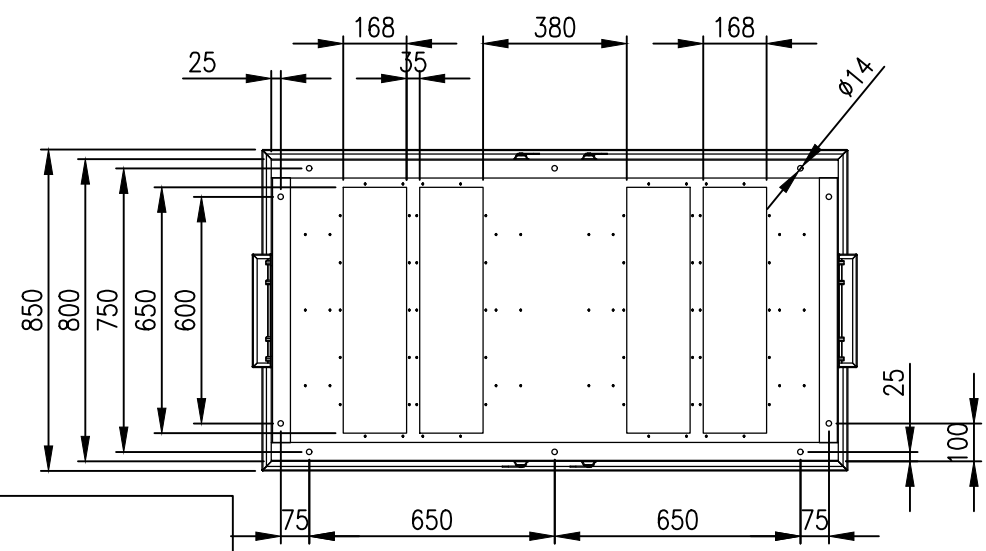
RIGHT SIDE VIEW



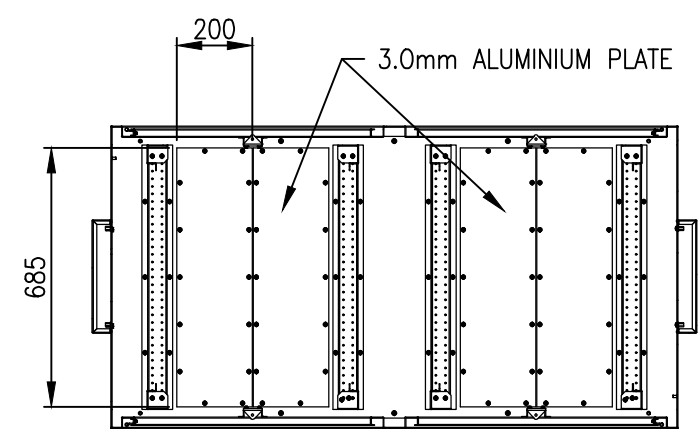
INTERIOR VIEW - DOOR REMOVED



SECTION A-A



BOTTOM VIEW



SECTION B-B

MATERIAL
 BODY AND PLINTH: 2.0mm GALVANISED STEEL SHEET
 DOORS: 2.0mm GALVANISED STEEL SHEET
 19" DATA RAILS: 1.5mm GALVANISED STEEL SHEET
 GLAND PLATE: 3.0mm ALUMINIUM
 SEAL: POLYURETHANE
 SURFACE TREATMENT: POWDER-COAT 80-120micron
 COLOUR: T33 SMOKE BLUE, SMOOTH FINISH

PROTECTION: IP55
 STANDARD: IEC62208, IEC/EN/AS60529, EIA-310D

© IP ENCLOSURES 2023.
 THIS DRAWING SHALL NOT BE COPIED OR REPRODUCED
 WITHOUT AUTHORISATION FROM IP ENCLOSURES.
 www.ipenclosures.com.au

Itemref	Quantity	Title/Name, designation, material, dimension etc	Article No./Reference
IP	1	2 x 30RU (60RU) FIELD CABINET 1675x1500x6000 DOUBLE BAY	IP-16715080-T33
IP	1	3.0mm ALUMINIUM PLATE	IP-16715080-T33



2 x 30RU (60RU) FIELD CABINET 1675x1500x6000 DOUBLE BAY
 IP-16715080-T33
 Edition 0
 Sheet 1/1