

# IP55 19" Field Cabinet

# IP-13715080-T33

**STEEL | DOUBLE BAY 19" RACK | IP55 19" 24RU - 1375H x 1500W x 800D**  
**Ventilated**

IP Enclosures Infrastructure Field Cabinets are available in ventilated and non-ventilated double bay configurations.

**Protection:** Complies with IP55

**Standard:** IEC62208, IEC/EN/AS60529, EIA-310-D **CE UK CA**

**Rack Unit Size:** 24RU

**Material:**

- Body and Plinth: 2.0mm galvanised steel sheet
- Doors: 2.0mm galvanised steel sheet
- 19" Data Rack Rails: 1.5mm galvanised steel sheet
- Gland Plate: 3.0mm aluminium
- Enclosure Seal: Polyurethane

**Body:** The robust monoblock body is fabricated using 2.0mm galvanised steel sheet. The body is fitted with rain hood/sunshield, plinth, vent hoods and 4 x lifting eye bolts. Flat face sealing surfaces are provided to increase seal life. A split gland plate is incorporated into the base. Four cutouts 125mm x 125mm are provided to house fans and filters and each are covered with removable vent hoods.

**Doors:** Front and rear doors are fabricated using 2.0mm galvanised steel sheet and are designed to provide flush recessed mounting to prevent vandalism and unauthorised access. The doors incorporate concealed removable hinges with captive pins. They are provided with heavy duty door stays.

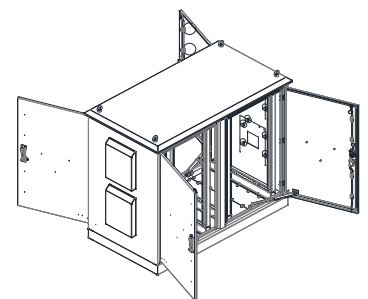
**19" Data Rack Rails:** Front and rear 19" data rack rails are fabricated from 1.5mm galvanised steel sheet.

**Door Seals:** Polyurethane foamed in place (FIP) full perimeter door seals provide excellent sealing over a long life. Temperature resistance: -40°C to 80°C.

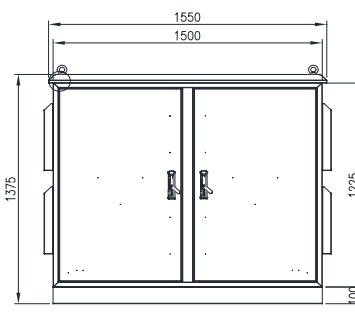
**Locks:** Each door includes 3 point locking system with key-lock swing handle.

**Gland Plate:** 3mm aluminium split gland plates are incorporated into the base.

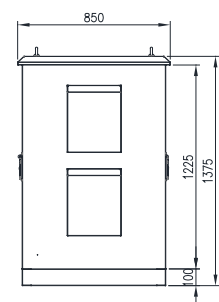
**Surface Treatment:** UL approved polyester powder-coated with a smooth gloss finish, 80-120 micron average thickness, providing excellent exterior durability and colour retention. Colour: T33 Smoke Blue.



FRONT VIEW



FRONT VIEW



RIGHT SIDE VIEW