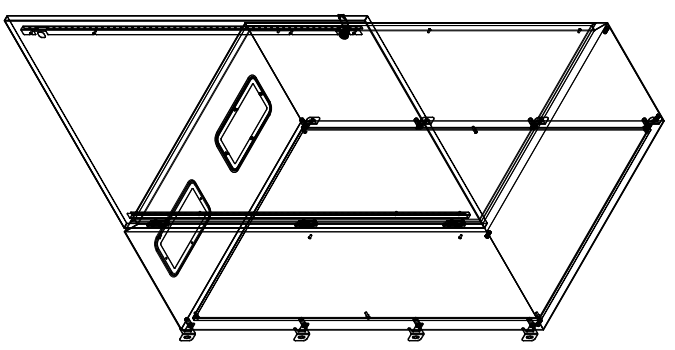
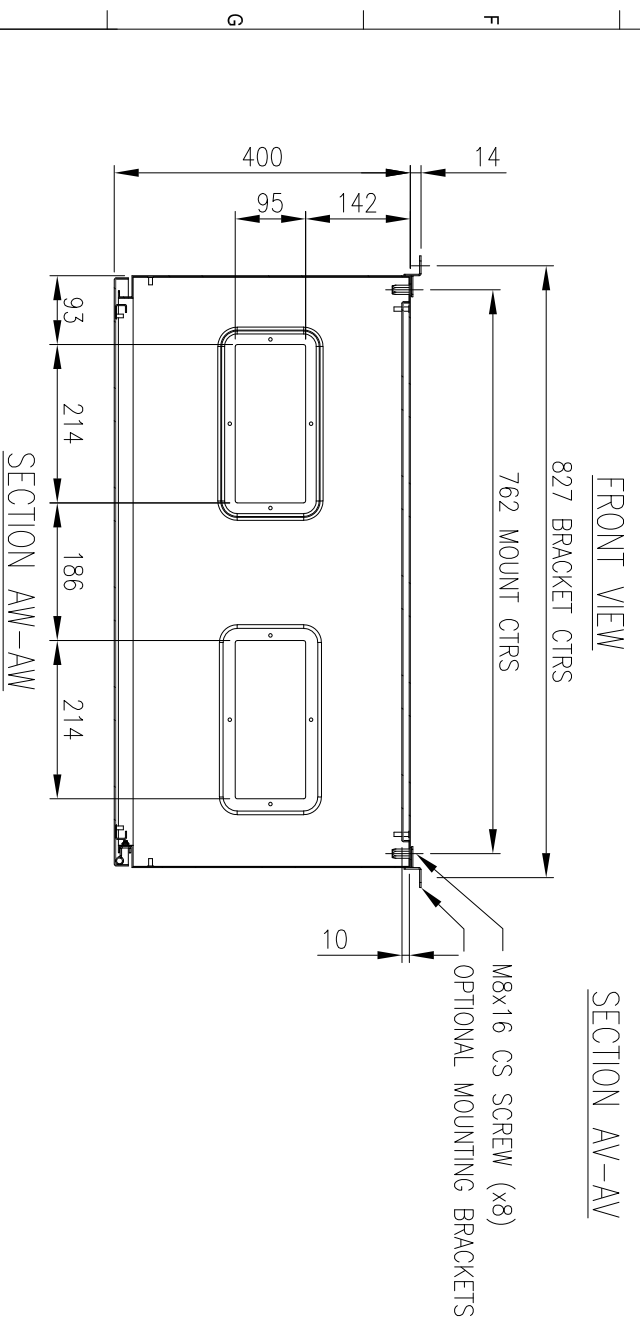
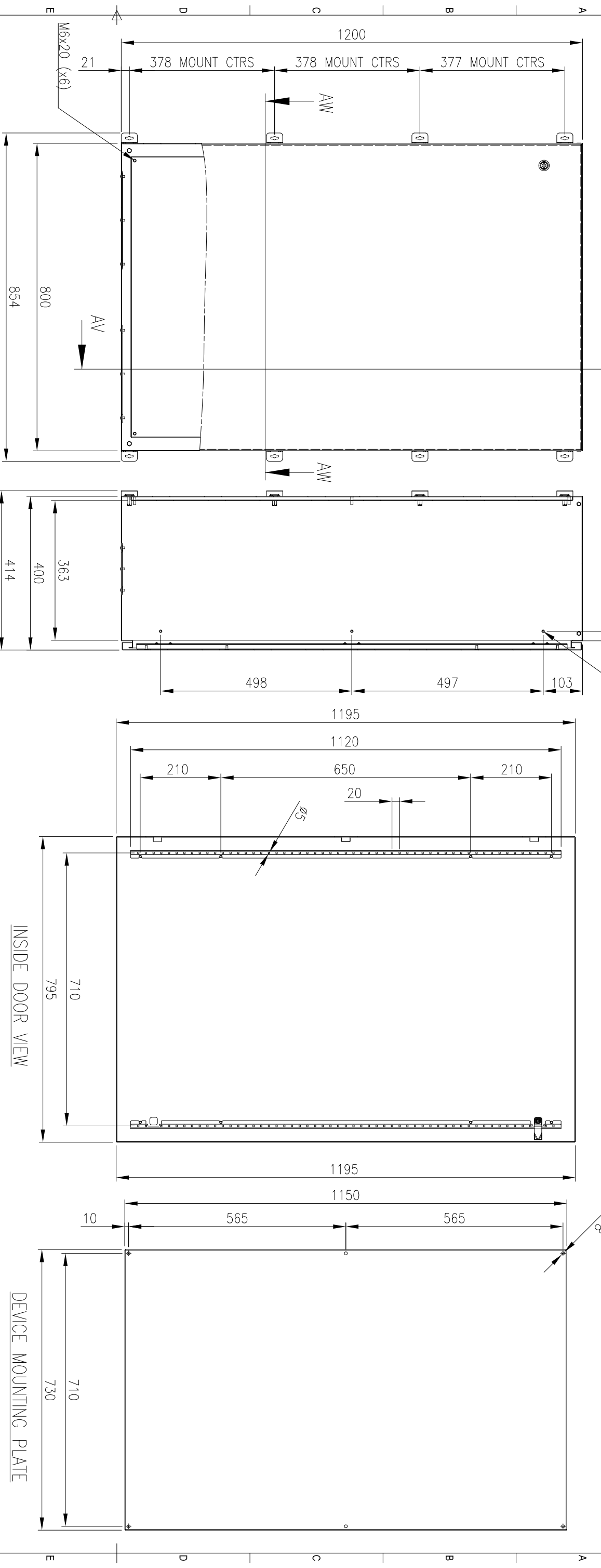


| RevNo | Revision note | Date | Signature | Checked |
|-------|------------------|--------|-----------|---------|
| 1 | GENERAL REVISION | 9/8/17 | IP | IP |



MATERIAL
 BODY: 1.5mm GALVANISED STEEL SHEET
 DOOR: 1.5mm GALVANISED STEEL SHEET
 DEVICE PLATE: 1.5mm GALVANISED STEEL SHEET
 SEAL: POLYURETHANE
 SURFACE TREATMENT: POWDER-COAT 80-120micron

MASS: 54.0kg

PROTECTION: IP66 IK10, NEMA4
 STANDARD: IEC/EN/AS62208, IEC/EN/AS60529

| Item# | Quantity | TradeName, designation, material, dimension etc. | Article No./Reference | Scale |
|------------------------------|------------|--|-----------------------|----------|
| IP | | | | 1:10 |
| Designed by | Checked by | Approved by - date | Filename | Date |
| IP | IP | 17/10/16 | IP-208040-01 | 17/10/16 |
| 1200x800x400 STEEL ENCLOSURE | | | | 1:10 |
| IP-1208040-01 | | | | 1/1 |

© IP ENCLOSURES 2016.
 THIS DRAWING SHALL NOT BE COPIED OR REPRODUCED
 WITHOUT AUTHORISATION FROM IP ENCLOSURES.
 www.ipenclosures.com.au

