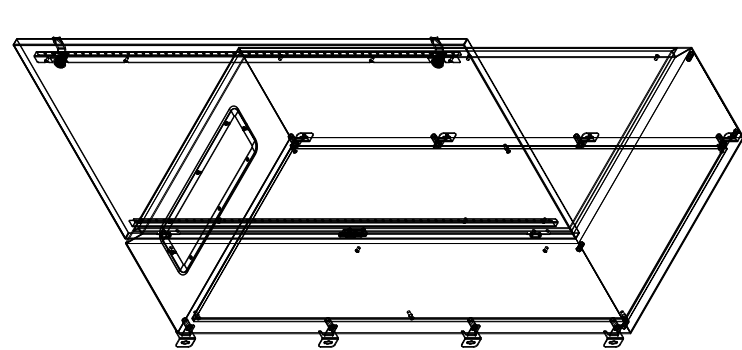
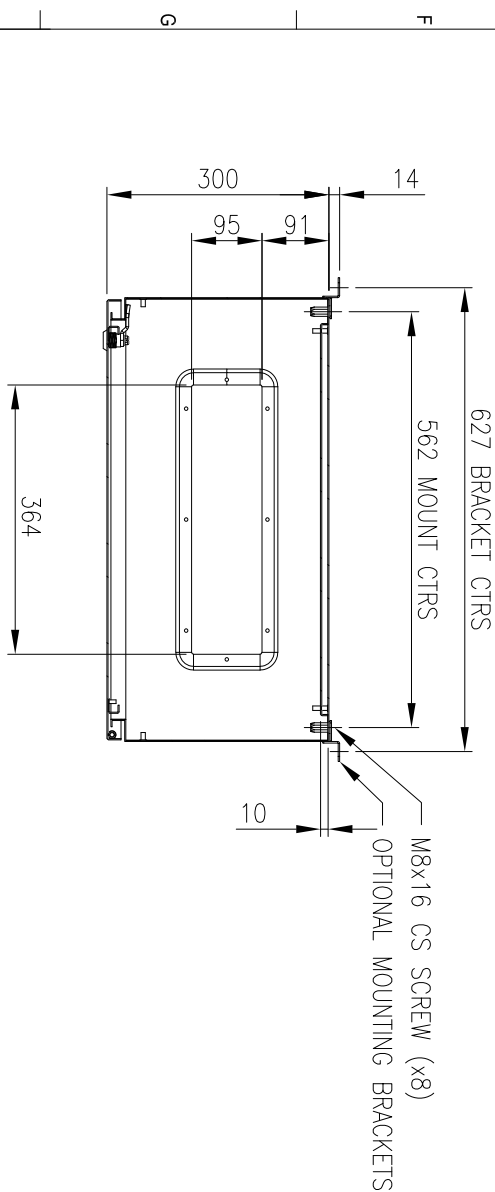
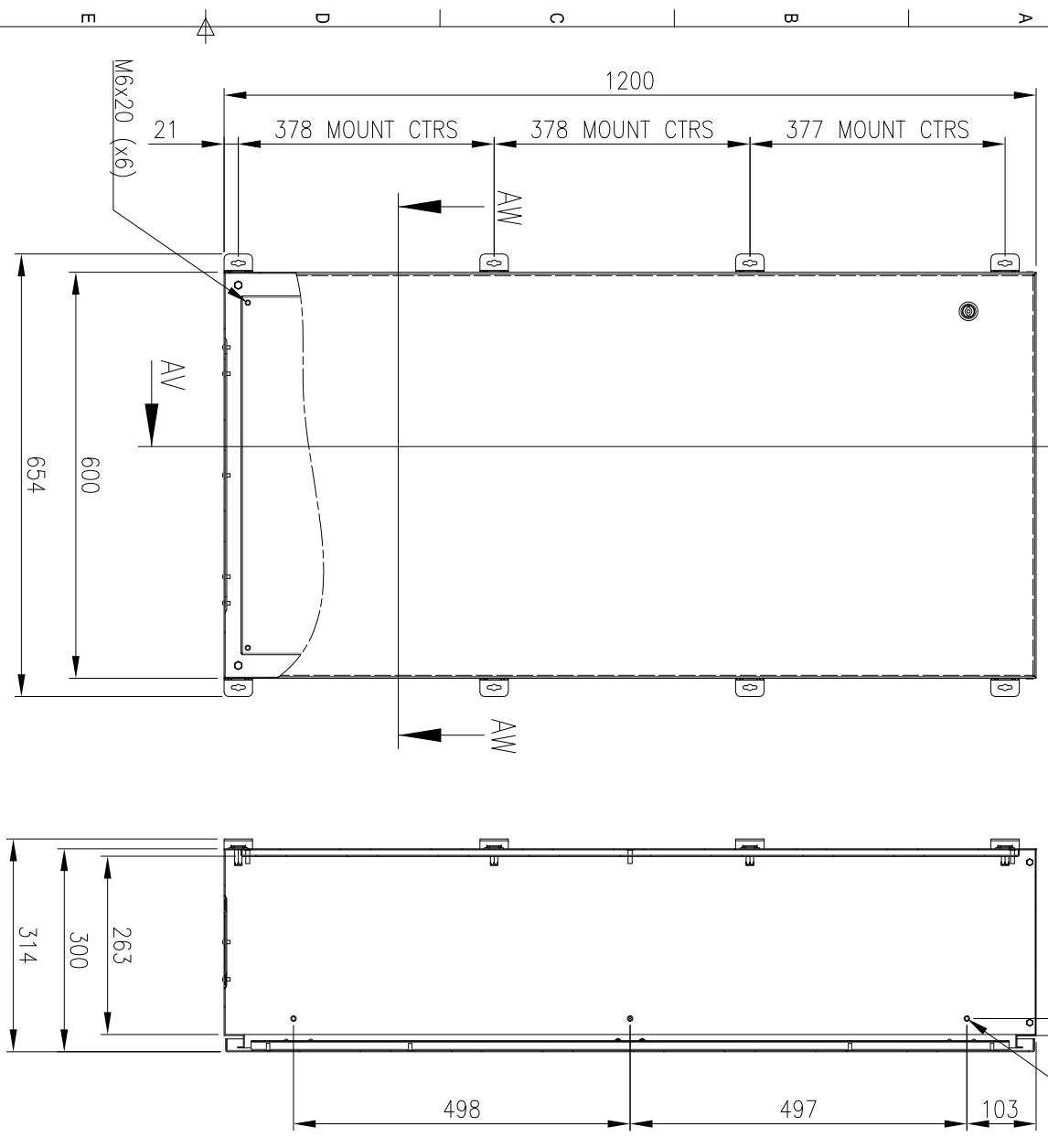
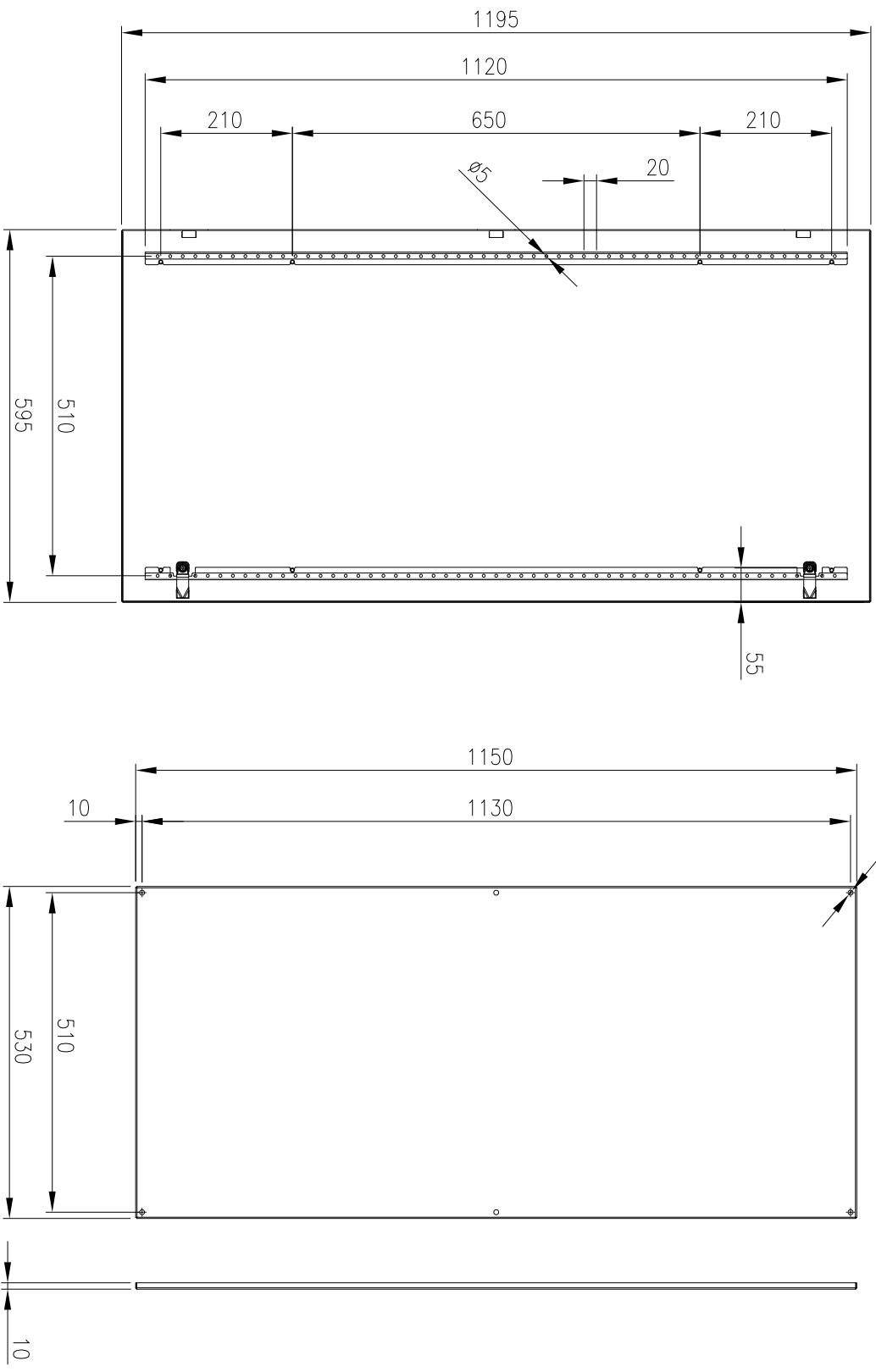


RevNo	Revision note	Date	Signature	Checked
1	GENERAL REVISION	9/8/17	IP	IP



MATERIAL

BODY: 1.5mm GALVANISED STEEL SHEET
 DOOR: 1.5mm GALVANISED STEEL SHEET
 DEVICE PLATE: 1.5mm GALVANISED STEEL SHEET
 SEAL: POLYURETHANE
 SURFACE TREATMENT: POWDER-COAT 80-120micron

MASS: 39.5kg

PROTECTION: IP66 IK10, NEMA4
 STANDARD: IEC/EN/AS62208, IEC/EN/AS60529

Item#	Quantity	TradeName, designation, material, dimension etc.	Article No./Reference
IP	1	1200x600x300 STEEL ENCLOSURE	IP-1206030-01



© IP ENCLOSURES 2016.
 THIS DRAWING SHALL NOT BE COPIED OR REPRODUCED
 WITHOUT AUTHORISATION FROM IP ENCLOSURES.
 www.ipenclosures.com.au