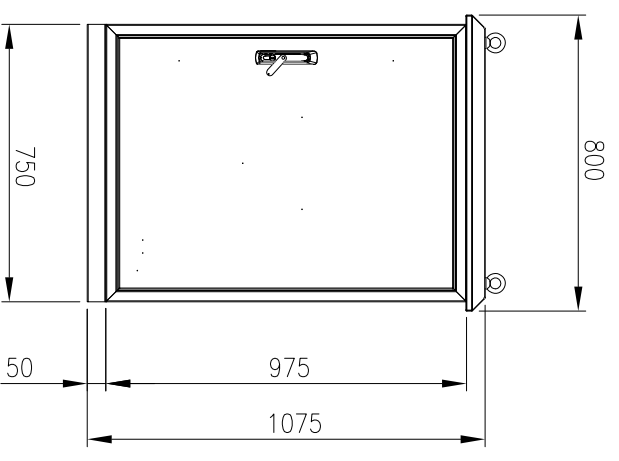
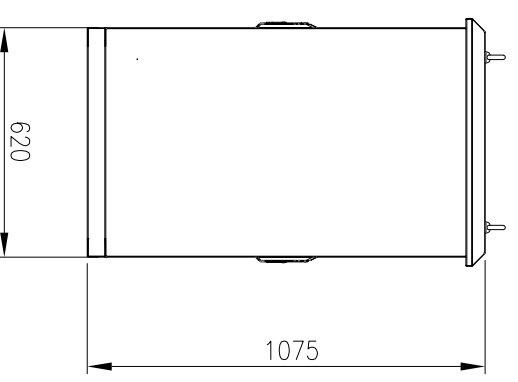


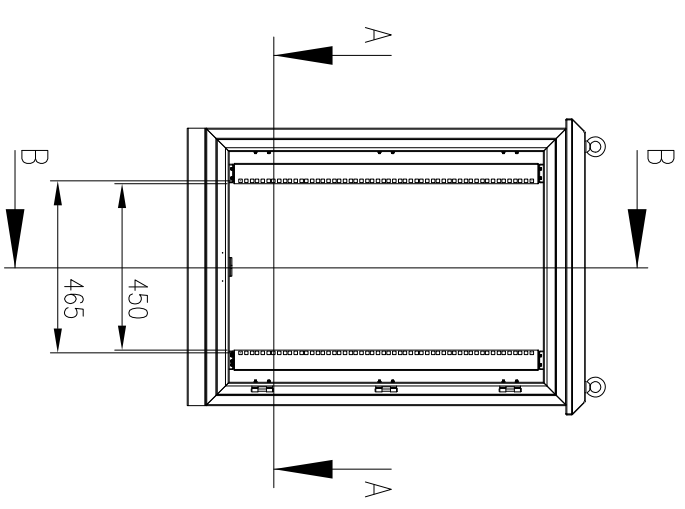
TOP VIEW



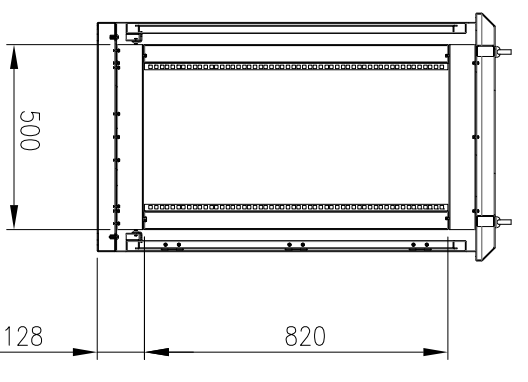
FRONT VIEW
(ASSEMBLY)



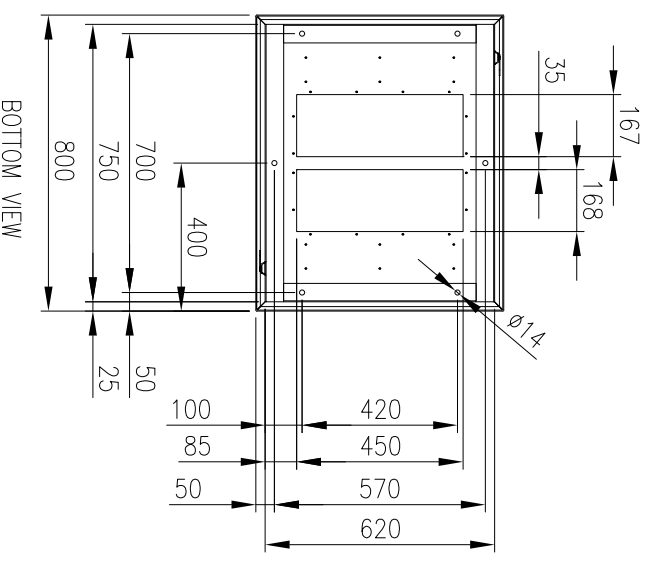
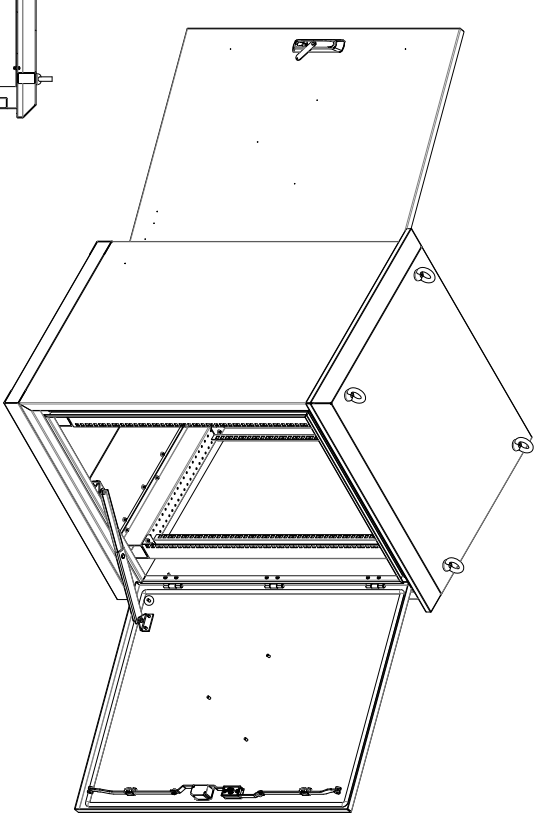
SIDE VIEW



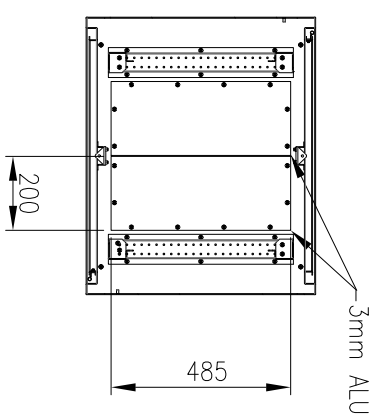
FRONT VIEW
(FRONT DOOR REMOVED)



SECTION B-B



BOTTOM VIEW



SECTION A-A

3mm ALUMINIUM GLAND PLATES

MATERIAL
 BODY AND PLINTH: 2.0mm GALVANISED STEEL SHEET
 DOORS: 2.0mm POWDERCOATED GALVANISED SHEET
 19" DATA RAILS: 1.5mm GALVANISED STEEL SHEET
 SEAL: POLYURETHANE
 SURFACE TREATMENT: POWDER-COAT 80-120micron
 COLOUR: T33 SMOKE BLUE, SMOOTH FINISH
 PROTECTION: IP66 (EXCLUDING FANS/FILTER CUTOUTS)
 STANDARD: IEC62208, IEC/EN/AS60529, EIA-310D

© IP ENCLOSURES 2017.
 THIS DRAWING SHALL NOT BE COPIED OR REPRODUCED
 WITHOUT AUTHORISATION FROM IP ENCLOSURES.
 www.ipenclosures.com.au

Item#	Quantity	TradeName, designation, material, dimension etc.	Article No./Reference
IP	1	18RU CABINET 1075x750x620 NO.-VENTS	IP-1077562-0-133
IP	1		1/1

