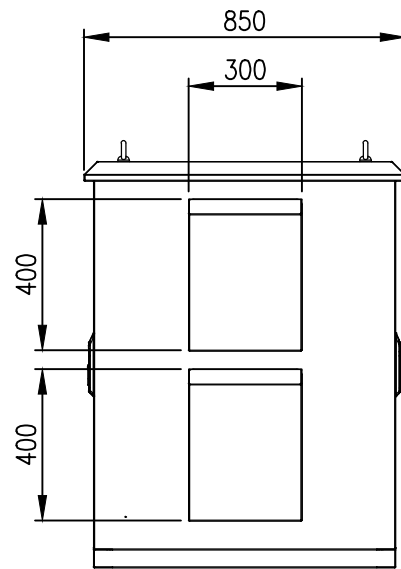
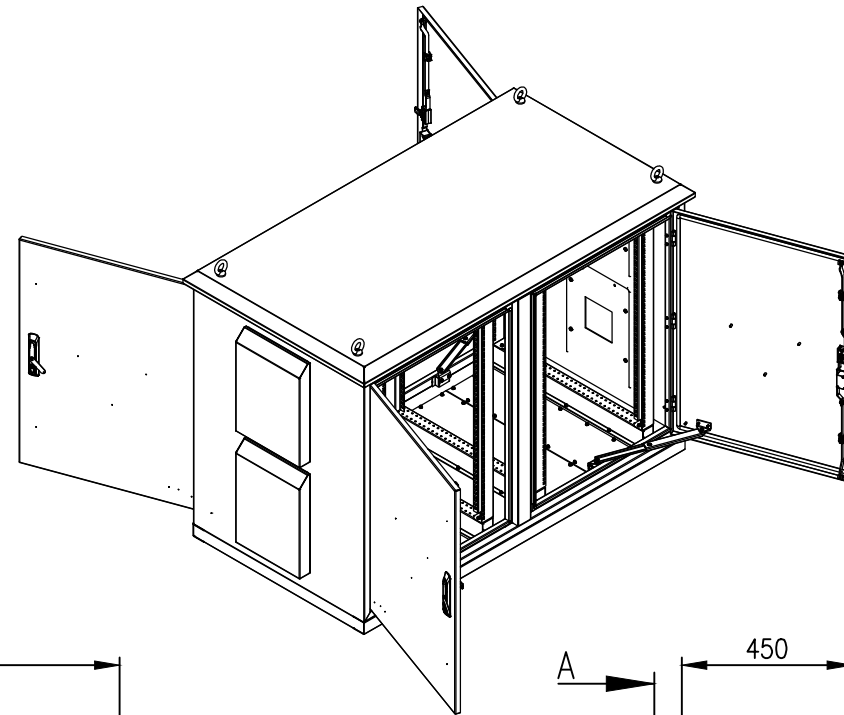
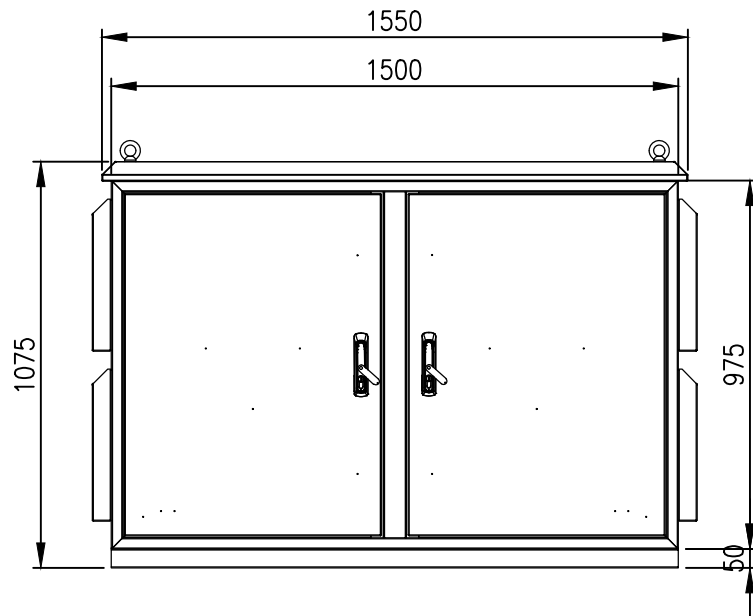




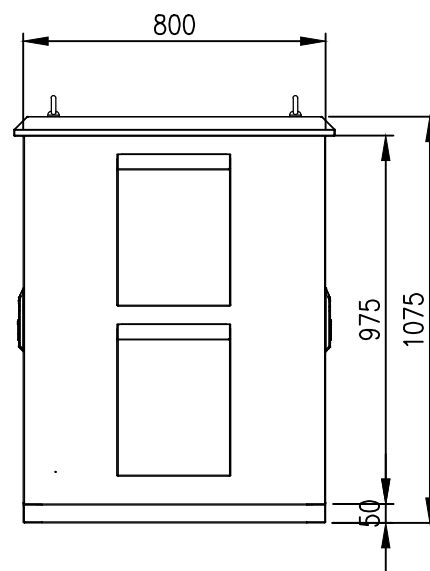
TOP VIEW



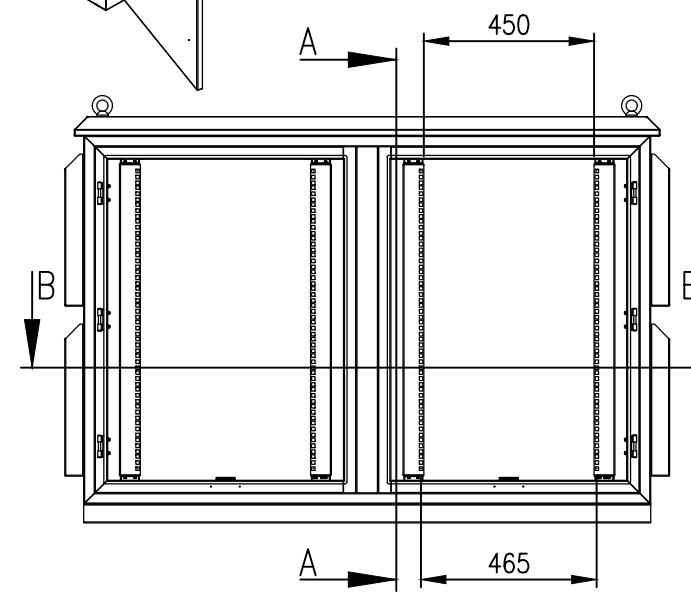
LEFT SIDE VIEW



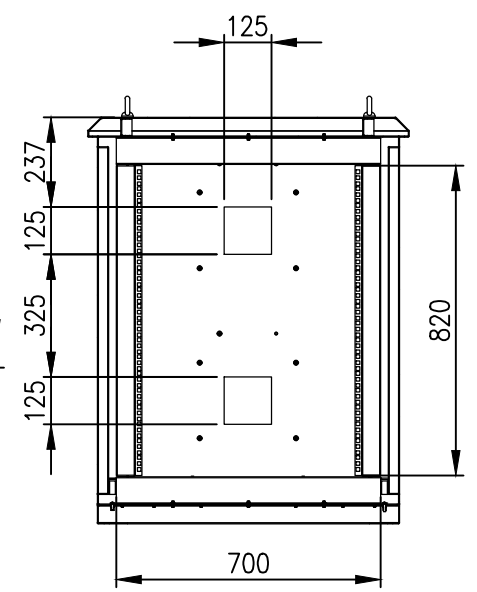
FRONT VIEW



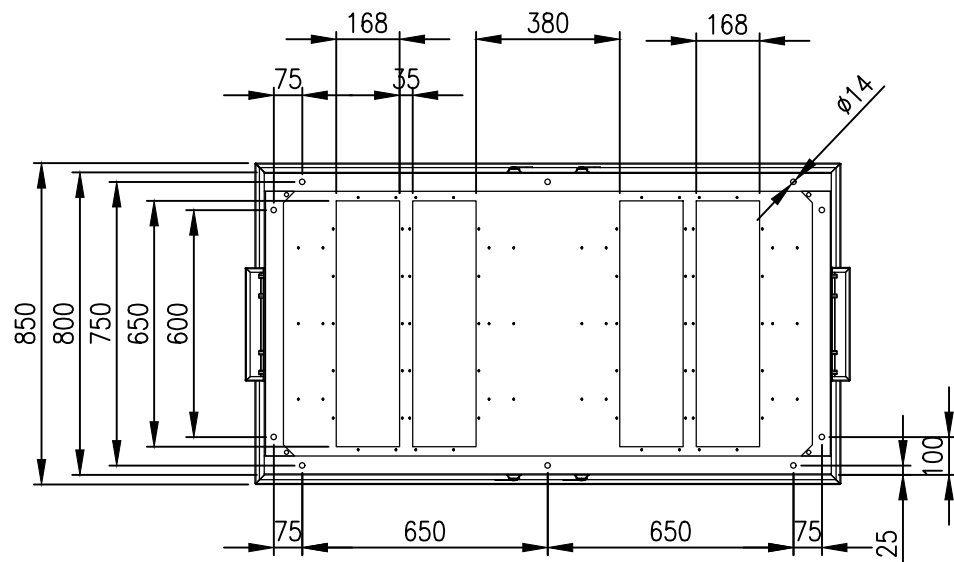
RIGHT SIDE VIEW



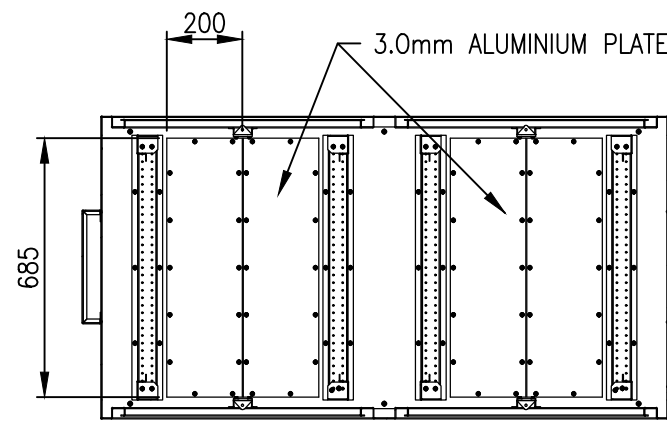
INTERIOR VIEW-DOOR REMOVED



SECTION A-A



BOTTOM VIEW



BOTTOM VIEW

MATERIAL
BODY AND PLINTH: 2.0mm GALVANISED STEEL SHEET
DOORS: 2.0mm GALVANISED STEEL SHEET
19" DATA RAILS: 1.5mm GALVANISED STEEL SHEET
GLAND PLATE: 3.0mm ALUMINIUM
SEAL: POLYURETHANE
SURFACE TREATMENT: POWDER-COAT 80-120micron
COLOUR: T33 SMOKE BLUE, SMOOTH FINISH

PROTECTION: IP55
STANDARD: IEC62208, IEC/EN/AS60529, EIA-310D

© IP ENCLOSURES 2023.
THIS DRAWING SHALL NOT BE COPIED OR REPRODUCED
WITHOUT AUTHORISATION FROM IP ENCLOSURES.
www.ipenclosures.com.au

Itemref	Quantity	Title/Name, designation, material, dimension etc	Article No./Reference
Designed by IP	Checked by IP	Approved by - date 09/11/23	Filename IP-10715080-T33
		Date 09/11/23	Scale 1:20
IP Enclosures		2 x 18RU (36RU) FIELD CABINET 1075Hx1500Wx600D DOUBLE BAY	
		IP-10715080-T33	Edition 0
			Sheet 1/1