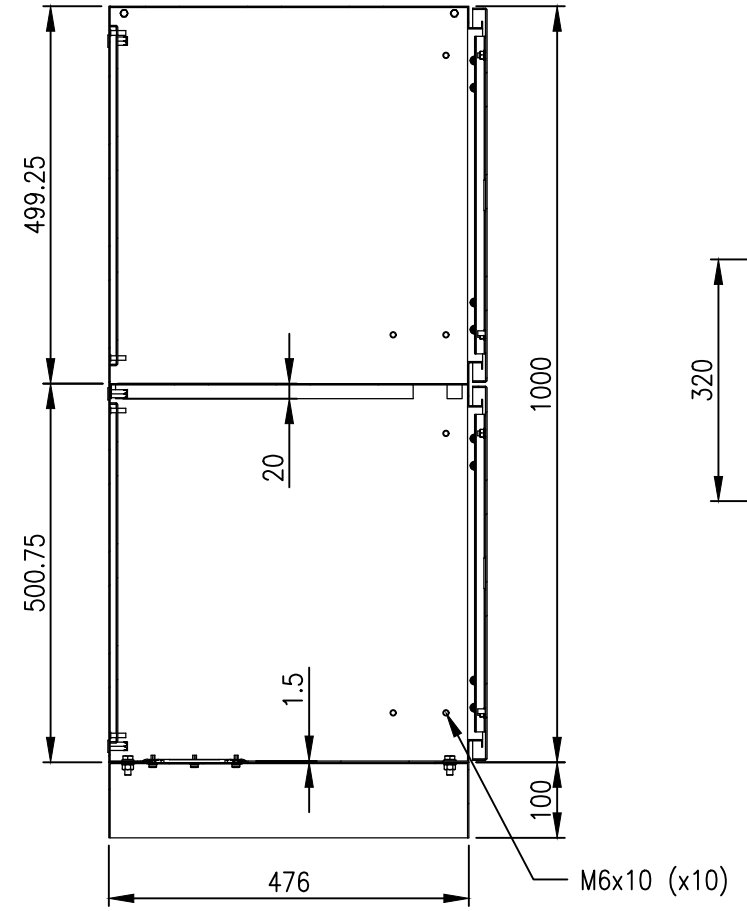
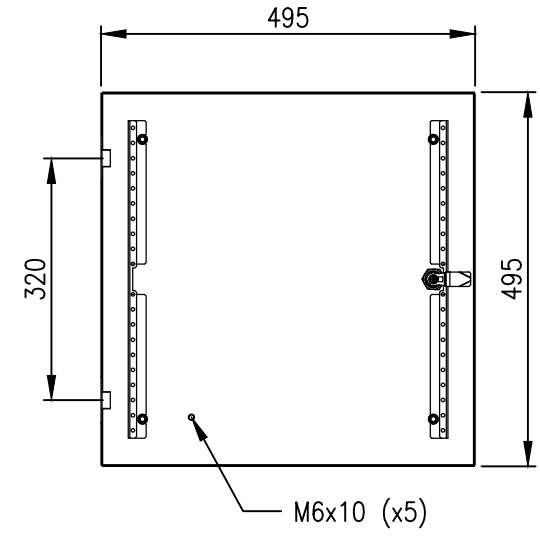


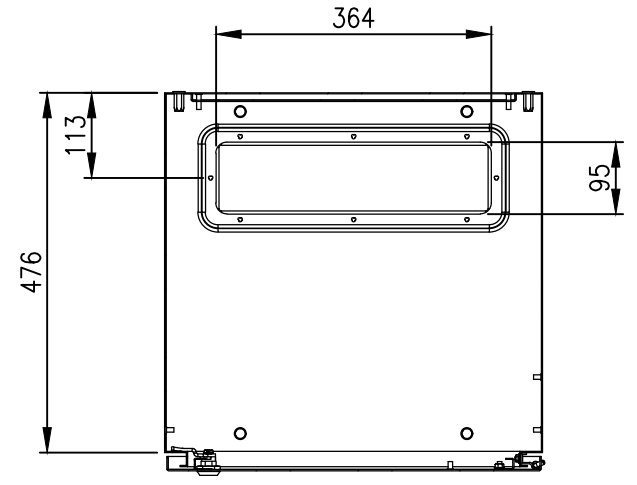
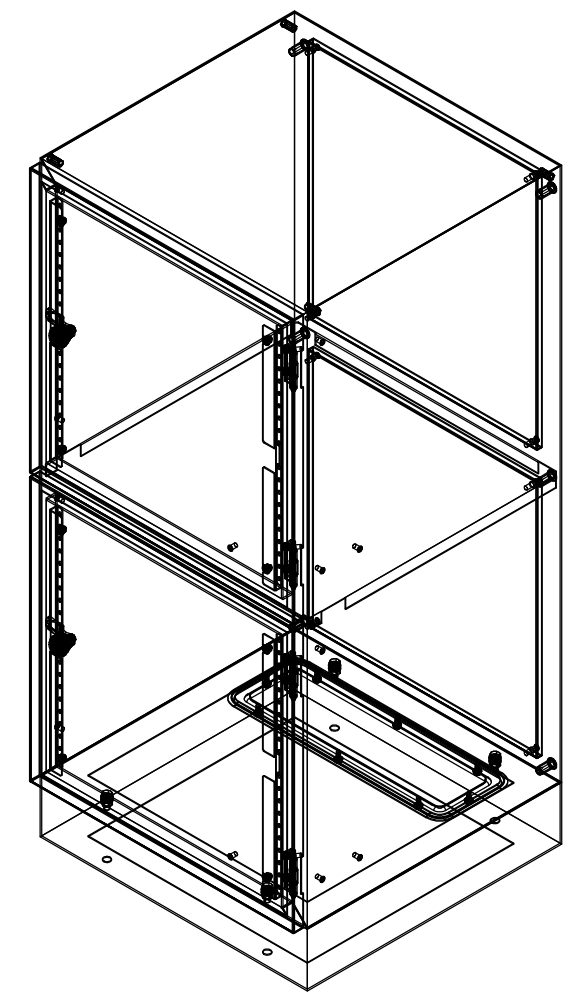
FRONT VIEW



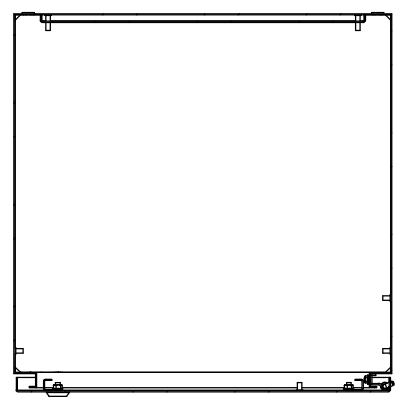
SECTION AV-AV



INSIDE DOOR VIEW
(TWO-DOORS)



SECTION AX-AX



SECTION AW-AW

MATERIAL
 BODY: 1.5mm GALVANISED STEEL SHEET
 GLAND PLATE: 1.5mm GALVANISED STEEL SHEET
 DOORS: 1.5mm GALVANISED STEEL SHEET
 DEVICE PLATE: 1.5mm GALVANISED STEEL SHEET
 SEAL: POLYURETHANE
 SURFACE TREATMENT: POWDER-COAT 80-120micron

PROTECTION: IP66 IK10, NEMA 4
STANDARD: IEC62208, IEC/EN/AS60529

© IP ENCLOSURES 2023.
 THIS DRAWING SHALL NOT BE COPIED OR REPRODUCED
 WITHOUT AUTHORISATION FROM IP ENCLOSURES.
 www.ipenclosures.com.au

Itemref	Quantity	Title/Name, designation, material, dimension etc	Article No./Reference
Designed by IP	Checked by IP	Approved by - date 04/08/23	Filename IP-100P5050
		Date 04/08/23	Scale 1:10
			1000x500x500 PARTITIONED STEEL ENCLOSURE
IP-100P5050			Edition 0
			Sheet 1/1