

Electrical Enclosure Accessories

IP-GPSE

STEEL | GLAND PLATES | WITH CUTOUTS

Thickness: 1.5mm

IP Enclosures offers precision-engineered steel gland plates with cutouts designed as direct replacements for standard gland plates and are suited for specific ICOTEK brand cable entry systems to provide the most advanced cable management solutions and to meet specific compliance requirements. Installation is straightforward, simply remove the existing plate and fit the steel gland plate with cutout alternative. Manufactured in 1.5mm thickness, steel gland plates with cutouts are supplied with a polyurethane seal to ensure enclosure integrity and maintain the designated IP rating.

Material:

- Gland Plate: 1.5mm galvanised steel sheet

Surface Treatment: UL approved AkzoNobel epoxy polyester powder-coated with a textured finish. 80-120 micron average thickness.

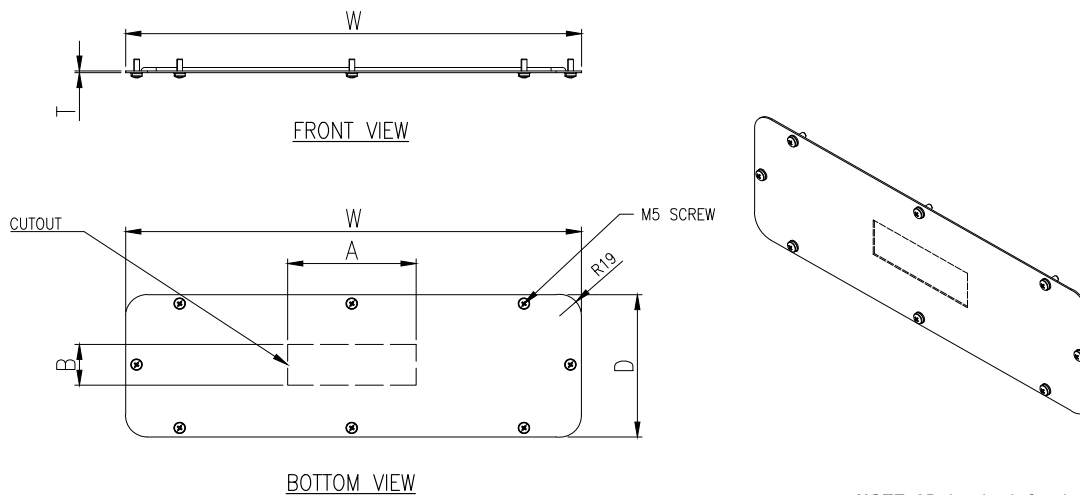
Colour: RAL7035 Light Grey.

Seal: Machine-applied full perimeter UL listed Polyurethane seal foamed in place. Temperature resistance -40°C to 80°C (160°C short term loading).



Image shown is for reference only. See table below for the accurate sizes and specifications.

Part Number	ICOTEK Cable Entry System Products	Gland Plate Size	Cutout Size of Gland Plate	Opening Size on Enclosure	Weight
SKU	SKU	W x D x T (mm)	W x D (mm)	W x D (mm)	Kilogram (Kg)
IP-GPSE2-1	To suit KEL-ER-E2	143W x 87D x 1.5mm. Thk.	43W x 24D	110W x 56D	0.2
IP-GPSE3-1	To suit KEL-ER-E3	143W x 87D x 1.5mm. Thk.	64W x 24D	110W x 56D	0.2



NOTE: 2D drawing is for visual representation only. See CAD files for accurate details and dimensions.

Electrical Enclosure Accessories

IP-GPS24

STEEL | GLAND PLATES | WITH CUTOUTS

Thickness: 1.5mm

IP Enclosures offers precision-engineered steel gland plates with cutouts designed as direct replacements for standard gland plates and are suited for specific ICOTEK brand cable entry systems to provide the most advanced cable management solutions and to meet specific compliance requirements. Installation is straightforward, simply remove the existing plate and fit the steel gland plate with cutout alternative. Manufactured in 1.5mm thickness, steel gland plates with cutouts are supplied with a polyurethane seal to ensure enclosure integrity and maintain the designated IP rating.

Material:

- Gland Plate: 1.5mm galvanised steel sheet

Surface Treatment: UL approved AkzoNobel epoxy polyester powder-coated with a textured finish. 80-120 micron average thickness.

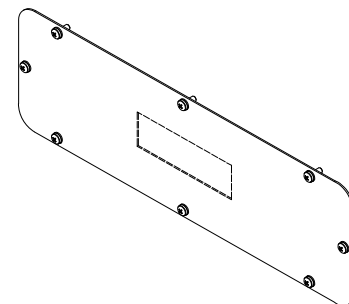
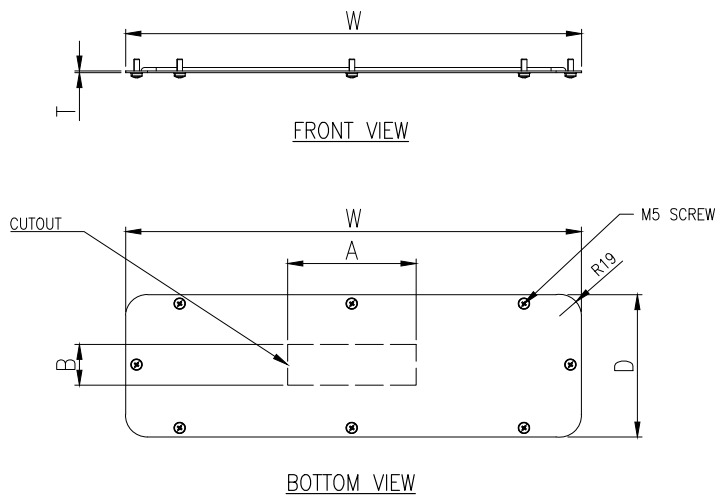
Colour: RAL7035 Light Grey.

Seal: Machine-applied full perimeter UL listed Polyurethane seal foamed in place. Temperature resistance -40°C to 80°C (160°C short term loading).



Image shown is for reference only. See table below for the accurate sizes and specifications.

Part Number	To Suit ICOTEK Cable Entry System Products	Gland Plate Size	Cutout Size of Gland Plate	Opening Size on Enclosure	Weight
SKU	SKU	W x D x T (mm)	W x D (mm)	W x D (mm)	Kilogram (Kg)
IP-GPS24-2	KEL-ER 24; KEL-DPU 24	247W x 126D x 1.5mm. Thk.	112W x 36D	214W x 95D	0.4
IP-GPS24-3	KEL-ER 24; KEL-DPU 24	397W x 126D x 1.5mm. Thk.	364W x 112D	364W x 95D	0.7



NOTE: 2D drawing is for visual representation only. See CAD files for accurate details and dimensions.