

ALUMINIUM | GLAND PLATES

Thickness: 3mm | 5mm

IP Enclosures offers precision-engineered aluminium gland plates designed as direct replacements for standard gland plates to meet specific compliance requirements. Installation is straightforward, simply remove the existing plate and fit the aluminium alternative. Manufactured in 3mm and 5mm thicknesses, aluminium gland plates are supplied with a polyurethane seal to ensure enclosure integrity and maintain the designated IP rating.

Material:

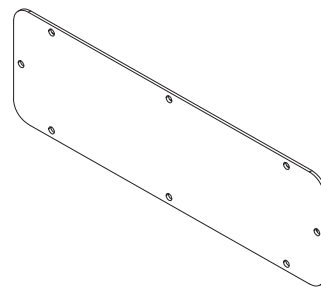
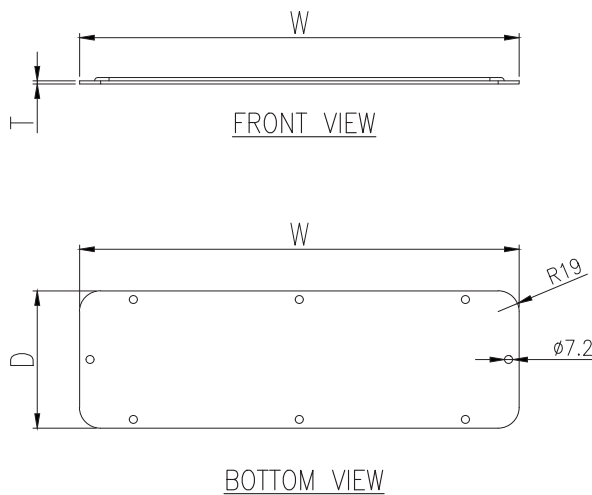
- Gland Plate: 3mm and 5mm marine grade aluminium 5754-H111

Seal: Machine-applied full perimeter UL listed Polyurethane seal foamed in place. Temperature resistance -40°C to 80°C (160°C short term loading).



Image shown is for reference only. See table below for the accurate sizes and specifications.

Part Number	Gland Plate Size	Opening Size on Enclosure	Weight
SKU	W x D x T (mm)	W x D (mm)	Kilogram (Kg)
IP-GPA3-1	143W x 87D x 3mm. Thick	110W x 56D	0.12
IP-GPA3-2	247W x 126D x 3mm. Thick	214W x 95D	0.3
IP-GPA3-3	397W x 126D x 3mm. Thick	364W x 95D	0.5
IP-GPA5-1	143W x 87D x 5mm. Thick	110W x 56D	0.2
IP-GPA5-2	247W x 126D x 5mm. Thick	214W x 95D	0.5
IP-GPA5-3	397W x 126D x 5mm. Thick	364W x 95D	0.8



NOTE: 2D drawing is for visual representation only. See CAD files for accurate details and dimensions.