

PCT 081607



Sample image

Order symbol : PCT 081607

Product nr : 7022621

UL Name : UL PCT 081607

Description : Enclosure, PC

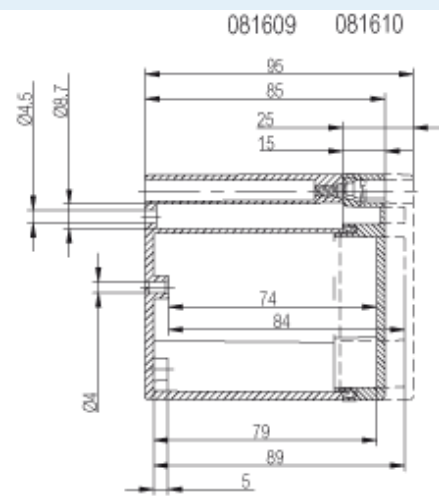
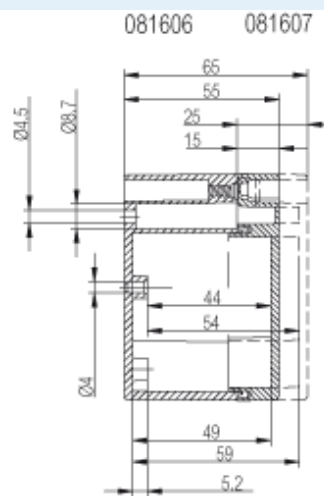
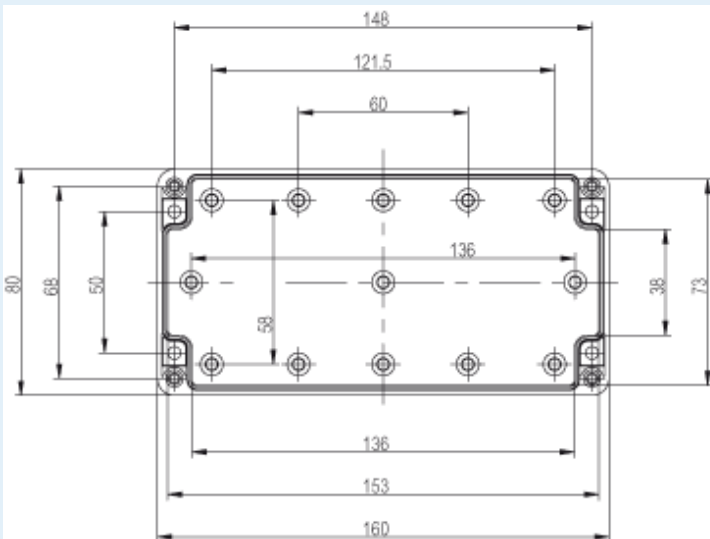
Remarks : Clear transparent cover

EAN : 6418074003751

El. number :

- Finland : 3423530
- Denmark : 8212002678

Including : Base with screws for mounting plate/DIN-rail. cover with PUR gasket and stainless steel cover screws.



Dimensions :	Height	Width	Depth
mm :	80	160	65
inch :	3.15	6.3	2.56

Materials :

Material :	Polycarbonate
Base colour :	RAL_7035
Cover colour :	Clear transparent
Gasket material :	Polyurethane

Accessories :

TF 28037	Wall fastening lug (4 pcs), for enclosures:
TRH 1216	DIN-35 Mounting rail, for enclosures: (146 x 35 x 1)
TRM 0816	DIN-15 Mounting rail, for enclosures: (146 x 15 x 1)
TM 0816	Mounting plate, for enclosures: (71 x 134 x 1)
TH A	Grey plastic hinges (2 pcs)
TRM 0808	DIN-15 Mounting rail, for enclosures: (68 x 15 x 1)

Temperatures :

Temperature °C (short term) :	-40 ... 120
Temperature °C (continuous) :	-40 ... 80
Temperature °F (short term) :	-40 ... 250
Temperature °F (continuous) :	-40 ... 175

Ratings :

Ingress protection (EN 60529):	IP66; IP67;
Impact Resistance (EN 62262):	IK07; IK08;
electrical_insulation :	Totally insulated
Halogen free (DIN/VDE 0472, Part 815) :	Yes
UV resistance :	UL 508
Flammability Rating :	UL 746C 5"
Glow Wire Test (IEC 695-2-1) °C :	960C

Certificates :

SGSFimko_EURONORD