

# PC 081607



Sample image

**Order symbol :** PC 081607

**Product nr :** 7032620

UL Name : UL PC 081607

**Description :** Enclosure, PC

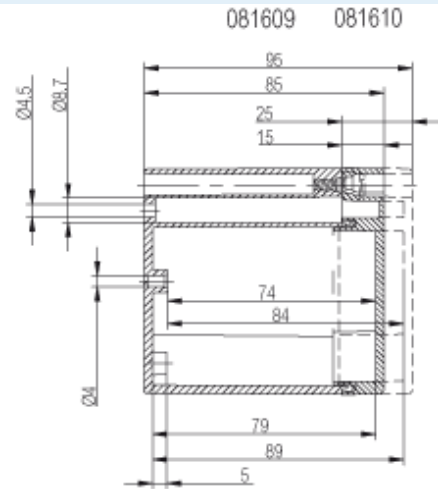
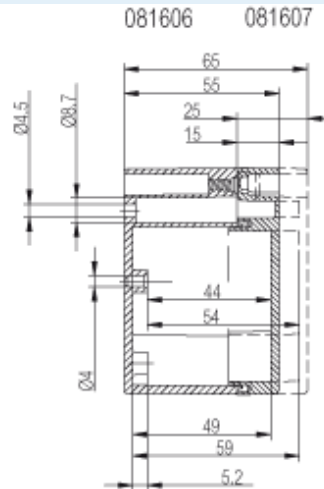
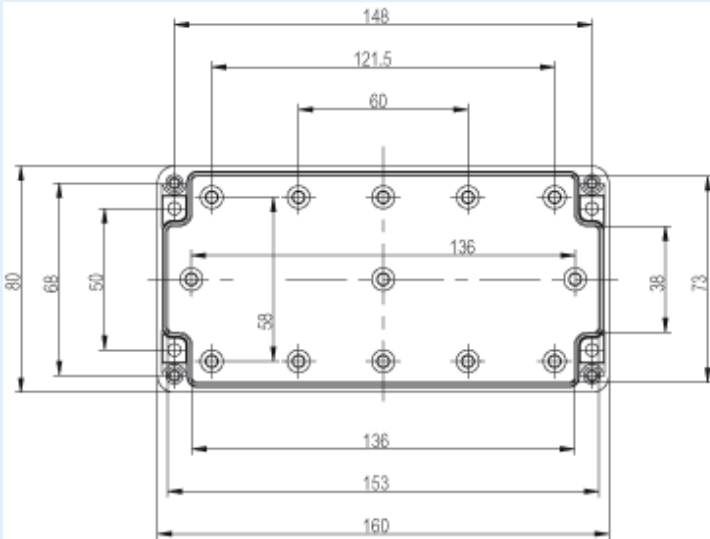
**Remarks :** Grey cover

**EAN :** 6418074003638

**El. number :**

- Finland : 3423430
- Denmark : 8212002665
- Sweden : 2536113

**Including :** Base with screws for mounting plate/DIN-rail. cover with PUR gasket and stainless steel cover screws.



<b>Dimensions :</b>	<b>Height</b>	<b>Width</b>	<b>Depth</b>
mm :	80	160	65
inch :	3.15	6.3	2.56

**Materials :**

Material : Polycarbonate

**Accessories :**

- TF 28037 Wall fastening lug (4 pcs), for enclosures:
- TRH 1216 DIN-35 Mounting rail, for enclosures: (146 x 35 x 1)
- TRM 0816 DIN-15 Mounting rail, for enclosures: (146 x 15 x 1)
- TM 0816 Mounting plate, for enclosures: (71 x 134 x 1)

Base colour : RAL\_7035  
Cover colour : RAL 7035 -light grey  
Gasket material : Polyurethane

TH A Grey plastic hinges (2 pcs)  
TRM 0808 DIN-15 Mounting rail, for enclosures:  
(68 x 15 x 1)

**Temperatures :**

Temperature °C (short term) : -40 ... 120  
Temperature °C (continuous) : -40 ... 80  
Temperature °F (short term) : -40 ... 250  
Temperature °F (continuous) : -40 ... 175

**Ratings :**

Ingress protection (EN 60529): IP66; IP67;  
Impact Resistance (EN 62262): IK07; IK08;  
electrical\_insulation : Totally insulated  
Halogen free (DIN/VDE 0472, Part 815) : Yes  
UV resistance : UL 508  
Flammability Rating : UL 746C 5"  
Glow Wire Test (IEC 695-2-1) °C : 960C

**Certificates :**

SGSFimko\_EURONORD