

PC 050705 enclosure



Sample image

Order symbol : PC 050705 enclosure

Product nr : 7032520

Description : Enclosure, PC

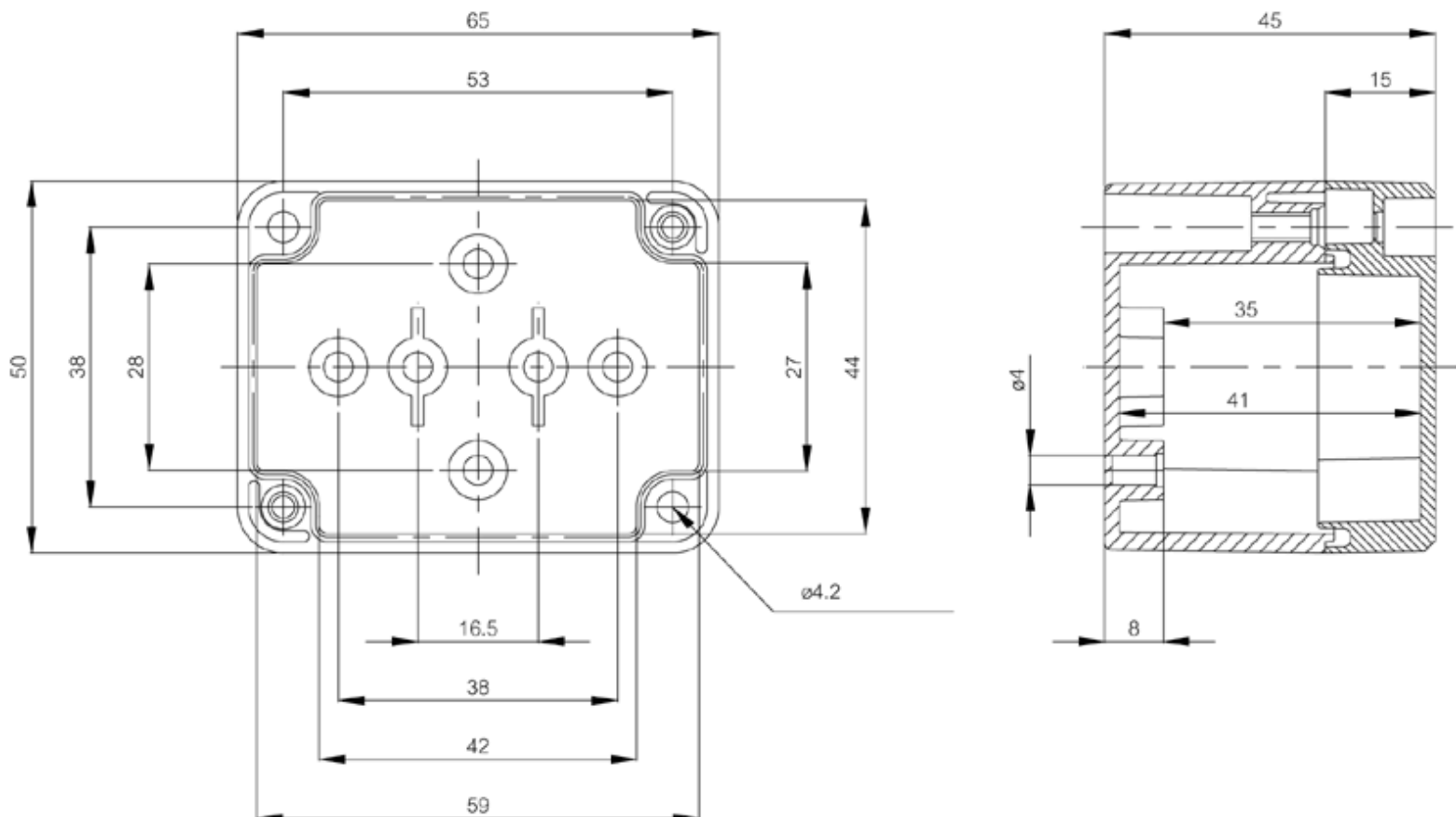
Remarks : Grey cover

EAN : 6418074003607

El. number :

- Finland : 3423424
- Denmark : 8212002526
- Sweden : 2536105

Including : Base with screws for mounting plate/DIN-rail. cover with PUR gasket and stainless steel cover screws.



Dimensions :

Height

Width

Depth

Accessories :

mm :	50	65	45
inch :	1.97	2.56	1.77

Materials :

Material :	Polycarbonate
Base colour :	RAL_7035
Cover colour :	RAL 7035 -light grey
Gasket material :	Polyurethane

Temperatures :

Temperature °C (continuous) :	-40 ... 80
Temperature °F (continuous) :	-40 ... 175

TF 28037	Wall fastening lug (4 pcs), for enclosures:
TM 0507	Mounting plate, for enclosures: (26 x 57 x 1.5)
TRM 0507	DIN-15 Mounting rail, for enclosures: (48 x 15 x 5.5)
TM 0505	Mounting plate, for enclosures: (26 x 48 x 1.5)
TH A	Grey plastic hinges (2 pcs) (30 x 20 x 12)

Ratings :

Ingress protection (EN 60529):	IP66; IP67;
Impact Resistance (EN 62262):	IK07; IK08;
electrical_insulation :	Totally insulated
Halogen free (DIN/VDE 0472, Part 815) :	Yes
UV resistance :	UL 746C
Flammability Rating :	UL 94 V0
Glow Wire Test (IEC 695-2-1) °C :	960C

Certificates :

SGSFimko_EURONORD