

ARCA 203015W



Sample image

Order symbol : ARCA 203015W

Product nr : 8120140

UL Code : UL508A

Description : Cabinet, PC

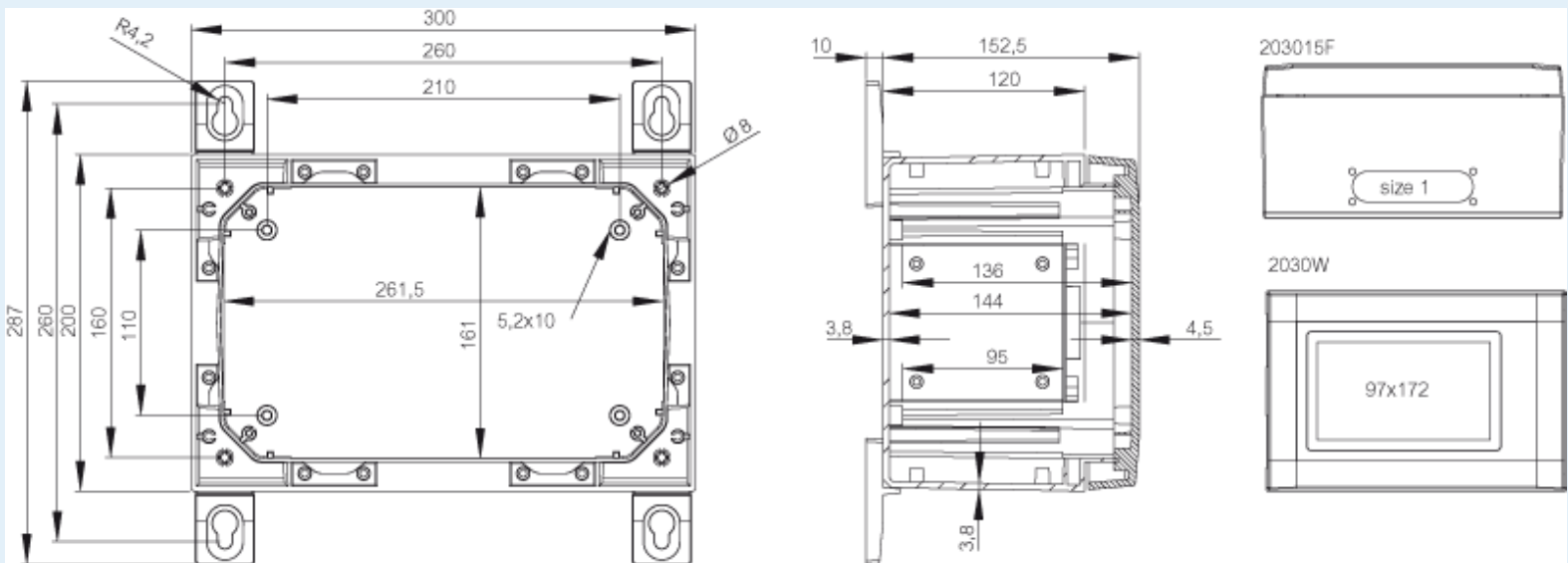
Remarks : Grey cover with window, 1-point locking, hinges on the short side

EAN : 6418074080110

El. number :

- Finland : 3423216
- Denmark : 8212091964
- Sweden : 2500137

Including : Cabinet base. door with PUR gasket. mounting plate. screws for mounting plate. 3mm double bit lock(s) with key. S versions with swinghandle 2-point locking system. Door guide included.



Dimensions :	Height	Width	Depth
mm :	200	300	150
inch :	7.87	11.81	5.91

Materials :

Material :	Polycarbonate
Base colour :	RAL_7035
Cover colour :	Clear transparent

Accessories :

MPMP ARCA 3020	Mounting plate multiperforated (250x150x2 mm - \varnothing 3.6 mm)
IDS ARCA 2030	Inner door set
MPP ARCA 2030	Mounting plate perforated (250x150x2 mm - 26x11 mm)
SBK ARCA 20	Support bar kit (140 x 40 x 30)
MPS ARCA 3020	Mounting plate (250x150x2 mm) (250 x 150 x 2)

Gasket material : Polyurethane

Temperatures :

Temperature °C (short term) : -40 ... 120

Temperature °C (continuous) : -40 ... 80

Temperature °F (short term) : -40 ... 250

Temperature °F (continuous) : -40 ... 175

SBK ARCA 30 Support bar kit
(235 x 40 x 30)

DRS ARCA
203015 DIN rail frame set
(285 x 185 x 35)

RCS ARCA
2030 Rain canopy set for size 2030

PMK ARCA 30 PoleMounting kit, for pole ø100-300mm
(385 x 285 x 35)

MPX ARCA
3020 Mounting plate (250x150 mm)
(250 x 150 x 20)

Ratings :

Ingress protection (EN 60529): IP65;

Impact Resistance (EN 62262): IK08;

electrical_insulation : Totally insulated

Halogen free (DIN/VDE 0472, Part 815) : Yes

UV resistance : UL 508

Flammability Rating : UL 94 5VA

Glow Wire Test (IEC 695-2-1) °C : 960C

Certificates :

Certificate FI 40467