

FIBOX ARCA Electrical Enclosure

ARCA404021

HIGH PERFORMANCE POLYCARBONATE | IP66 IK10

400H x 400W x 210D

IP Enclosures, in partnership with FIBOX, offer premium non-metallic electrical enclosures worldwide. The FIBOX ARCA series, manufactured from high-performance polycarbonate, is engineered for both indoor and outdoor applications. These enclosures provide superior UV resistance, corrosion resistance, and impact resistance. Designed and manufactured in Finland, the ARCA range meets the highest international quality standards.

EAN: 6418074079206

Electric Numbers:

- Finland: 3423076
- Denmark: 8212097573
- Sweden: 2506467

ETIM: EC000261

Protection: IP66 IK10

Standards (& Conformities): IEC/EN 62208, IEC/EN 61439-1, IEC/EN 61439-4, UL508A

Material:

- Body: High Performance Polycarbonate
- Door: High Performance Polycarbonate
- Seal: Polyurethane

Body: The durable body is fabricated using high-performance polycarbonate which provides superior resistance to corrosion, UV exposure, and mechanical impact. It is fully insulated and halogen-free. A galvanised mounting plate with screws is provided.

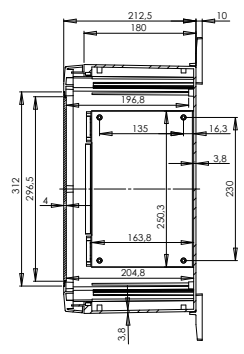
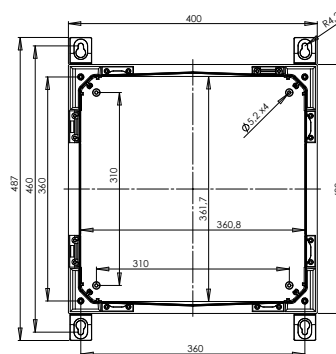
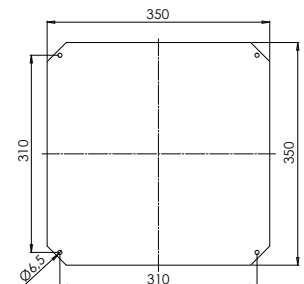
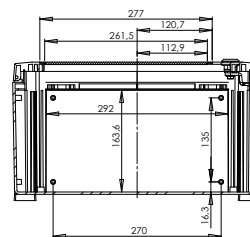
Door: The durable door is made from high performance polycarbonate and is provided with polyurethane seal. The inner side of the door has a special molded rib design for additional durability and stability. Hinges are fitted on the longer side of the enclosure. Door with transparent windows are available as an accessory.

Seal: Polyurethane.

Lock: 3mm double bit lock with key. 2-point locking system with door guide included. Swing handle locking solution is available upon request.

Mounting Plate: 2.0mm galvanised steel. Supplied fitted.

Standard Colour: RAL7035 Light Grey.



FIBOX ARCA Electrical Enclosure

ARCA404021

HIGH PERFORMANCE POLYCARBONATE | IP66 IK10

400H x 400W x 210D

ACCESSORIES:

Part Number	Description
IDS ARCA 4040	Aluminium Inner Door Set 380mmH x 380mmW x 30mmD; RAL7035
DRS ARCA 404021*	Galvanised Steel DIN Rail Frame Set 380mmH x 380mmW x 30mm
PMK ARCA 40	Stainless Steel Pole Mounting Kit for Ø100-300mm Pole 385mmH x 285mmW x 35mmD

*2 rows x 17 modules for size 400H x 400W x 210D ARCA Enclosure

PARAMETERS:

Electrical Insulation:	Fully Insulated
Halogen Free (DIN/VDE 0472, Part 815):	Yes
UV Resistance:	UL 746C
Flammability Rating:	UL 94 5VA
Glow Wire Test (IEC 60695)°C:	960°C
NEMA Class:	NEMA 1, 4, 4X, 12, 13
Temperature °C (short term):	-40...+120°C
Temperature °C (continuous term):	-40...+80°C

CERTIFICATES:

Certificate FI 42298. Our Ref. HEL-CERT191100721-06.