

FIBOX ARCA Electrical Enclosure ARCA-604021ST

POLYCARBONATE | TRANSPARENT DOOR | IP66 IK09

600H x 400W x 210D

The IP Enclosures, in partnership with FIBOX, offers a new premium non-metallic enclosure range, the ARCA-T series. Manufactured in Finland from high-performance polycarbonate, it features a smoked transparent door for safe, continuous greater visibility. The range delivers high impact strength, total corrosion resistance, chemical resistance and UV stability. It is fully compatible with the ARCA Standard range and provides enhanced safety and efficient performance for applications requiring continuous monitoring in energy, infrastructure, waste/water management and industrial automation sectors.

EAN: 6418074319043

ETIM: EC000261

Protection: IP66 IK09

Standards (& Conformities): IEC/EN 62208, IEC/EN 61439-1, IEC/EN 61439-4, UL508A

Material:

- Body: Polycarbonate
- Door: Polycarbonate
- Seal: Polyurethane

Body: The durable body is fabricated using high-performance, lightweight yet robust construction polycarbonate material which provides superior corrosion resistance, chemical resistance, UV stability, and high mechanical impact strength. It is fully insulated and halogen-free.

Door: The durable door is made from high-performance, lightweight yet robust construction polycarbonate material. It is Smoked Grey in colour and transparent for safe and continuous visual monitoring of components inside the enclosure. It is provided with polyurethane seal. The inner side of the door has a special molded rib design for additional durability and stability. Hinges are fitted on the longer side of the enclosure.

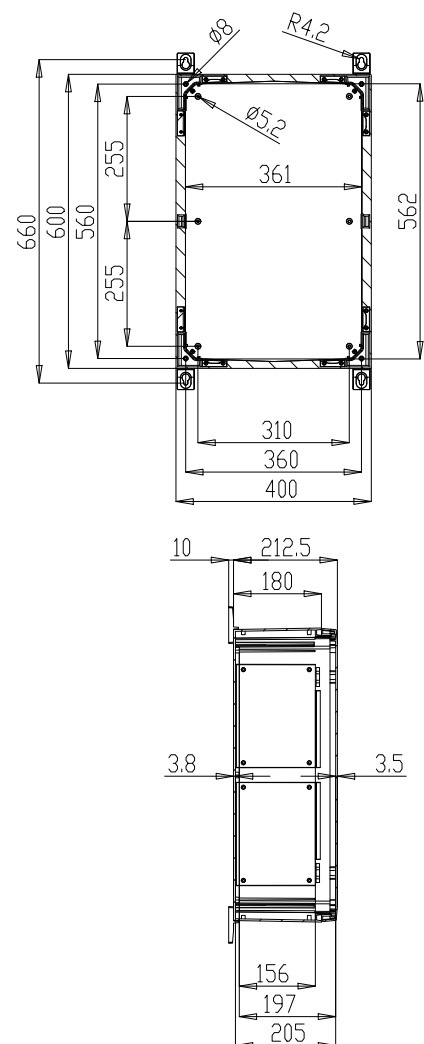
Seal: Polyurethane.

Lock: Swing handle. 2-point locking system with door guide included.

Standard Colour: RAL7035 Light Grey.



Image shown is for reference only.
See drawing below for the accurate size & measurement.



FIBOX ARCA Electrical Enclosure ARCA-604021ST

POLYCARBONATE | TRANSPARENT DOOR | IP66 IK09

600H x 400W x 210D

ACCESSORIES:

Part Number	Description
MPMP-ARCA-6040	Galvanised Steel Multiperforated Mounting Plate 550mmH x 350mmW x 1.5mmD-Ø3.6mm to suit 600mmH x 400mmW x 210mmD ARCA Enclosure
IDS ARCA 6040	Inner Door Set 585mmH x 385mmW x 35mmD (Galvanised Steel Door Frames; Aluminium Door)
DRS ARCA 604021*	Galvanised Steel DIN Rail Frame Set 585mmH x 385mmW x 35mm
RCS-ARCA-6040	Stainless Steel Rain Canopy Set 30mmH x 400mmW x 20mmD to suit 600mmH x 400mmW ARCA Enclosure
WMKQ10S**	Polycarbonate Plastic Wall Mounting Lugs Set 35mmH x 75mmW x 20mmD to suit 200mmH x 300mmW up to 600mmH x 800mmW ARCA Enclosures
WMKQ50S**	Polycarbonate Plastic Wall Mounting Lugs Set 37mmH x 77mmW x 50mmD to suit 200mmH x 300mmW up to 600mmH x 800mmW ARCA Enclosures
WMK-ARCA-10-SMALL**	Stainless Steel Wall Mounting Lugs Set 34mmH x 56mmW x 20mmD to suit 200mmH x 300mmW x up to 600mmH x 800mmW ARCA Enclosures
WMK-ARCA-10-MID**	Stainless Steel Wall Mounting Lugs Set 34mmH x 57mmW x 23mmD to suit 500mmH x 700mmW x up to 800mmH x 600mmW ARCA Enclosures
WMK-ARCA-40-SMALL**	Stainless Steel Wall Mounting Lugs Set 34mmH x 56mmW x 50mmD to suit 200mmH x 300mmW x up to 600mmH x 800mmW ARCA Enclosures
WMK-ARCA-40-MID**	Stainless Steel Wall Mounting Lugs Set 34mmH x 57mmW x 53mmD to suit 500mmH x 700mmW x up to 800mmH x 600mmW ARCA Enclosures
PMK ARCA 40	Stainless Steel Pole Mounting Kit for Ø100-300mm Pole 385mmH x 285mmW x 35mmD
DSP ARCA VRS	Door Stopper ARCA; Vertical; Right; Small; 15mmH x 104mmW x 16mmD
DSP ARCA VLS	Door Stopper ARCA; Vertical; Left; Small; 15mmH x 104mmW x 16mmD

*3 rows x 16 modules for size 600H x 400W x 210D ARCA Enclosure

**Installation Methods:

WMKQ10S -	Provide 10mm offset or gap clearance between wall and cabinet
WMKQ50S -	Provide 50mm offset or gap clearance between wall and cabinet
WMK-ARCA-10-SMALL-	Provide 10mm offset or gap clearance between wall and cabinet
WMK-ARCA-10-MID-	Provide 10mm offset or gap clearance between wall and cabinet
WMK-ARCA-40-SMALL-	Provide 40mm offset or gap clearance between wall and cabinet
WMK-ARCA-40-MID-	Provide 40mm offset or gap clearance between wall and cabinet

PARAMETERS:

Electrical Insulation:	Fully Insulated
Halogen Free (DIN/VDE 0472, Part 815):	Yes
UV Resistance:	UL 746C
Flammability Rating:	UL 94 5VA
Glow Wire Test (IEC 695-2-1)°C:	960°C
Temperature °C (long term):	-40...+80°C

ENVIRONMENTAL DATA:

A1-A3 GWP (kgCO2e):	31.772
GWP Standard:	EN15804:2012 + A2:2019
EPD Registration Number:	HUB-4865
Third Party Verification:	TRUE

CERTIFICATES:

Certificate FI 42557. Our Ref. HEL-CERT191100721-07.