

# FIBOX Euronord Terminal Box

# ALN-121208

ALUMINIUM | IP66 | IP67 | IP68 | IK08

125H x 124W x 81D

IP Enclosures, in partnership with FIBOX, offers a premium range of aluminium terminal boxes worldwide. Engineered and manufactured in Finland to the highest quality standards, aluminium terminal boxes deliver exceptional mechanical strength, chemical and corrosion resistance, and durable yet lightweight construction. They suit applications requiring electromagnetic compatibility, extreme temperature tolerance, and long-term outdoor use, maintaining stability and sealing integrity in harsh climates.

EAN: 6418074016102

#### Electric Numbers:

- Finland: 3420048
- Denmark: 8212045680
- Sweden: 2500912

ETIM: EC000261

Protection: IP66, IP67, IP68, IK08

Standards (& Conformities): IEC/EN 60529, IEC/EN 62208, IEC/EN 61439-1, IEC/EN 61439-4

#### Material:

- Body: Die-cast Aluminium
- Cover: Die-cast Aluminium
- Seal/Gasket: Polyurethane

**Body:** The durable body is constructed from die-cast aluminium, delivering superior resistance to chemical attack, corrosion, toxic substances, magnetic interference, and mechanical impact. External edges are rounded and surfaces are free of gate marks, providing smooth areas suitable for labels, decals, or screen printing. The enclosure is halogen-free. Multiple mounting options include galvanised steel plates, DIN rails, and wall fastening lugs which simplify installation and support a wide range of electrical components.

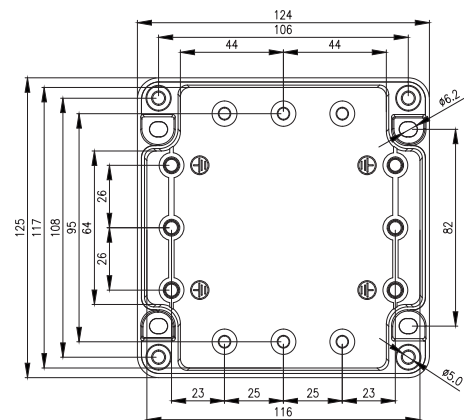
**Cover:** The durable cover is made from die-cast aluminium and is provided with polyurethane seal and stainless steel captive cover screws.

**Seal/Gasket:** Polyurethane.

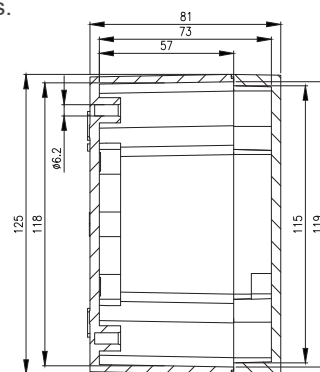
**Cover Lock:** Stainless steel cover screws; Captive.

**Mounting Plate:** 1.5mm galvanised steel. (Not included and must be ordered separately).

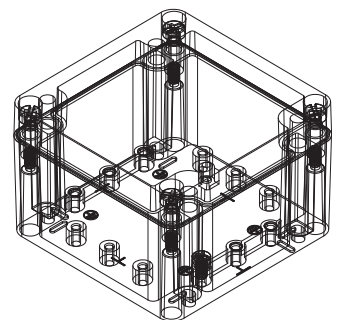
**Standard Colour:** RAL7001 Silver Grey.



FRONT VIEW—DOOR REMOVED



SECTION A-A



# FIBOX Euronord Terminal Box

# ALN-121208

ALUMINIUM | IP66 | IP67 | IP68 | IK08

125H x 124W x 81D

## ACCESSORIES:

Part Number	Description
AM 1212	Galvanised Steel Mounting Plate 107mmH x 110mmW x 1.5mmD
ARH 12	Galvanised Steel DIN-35 Mounting Rail 105mmH x 35mmW x 7mmD
MR 75005	Self-Tapping Taptite Screw M5
MRS 28541	Stainless Steel Wall Fastening Lug - 2 pcs. 15mmH x 50mmW x 1mmD (Screws included)

## PARAMETERS:

Electrical Insulation:	Not Insulated
Halogen Free (DIN/VDE 0472, Part 815):	Yes
UV Resistance:	UL 746C
NEMA Class:	NEMA 1, 4, 4X, 6, 12, 13
Temperature °C (short term use):	-50...+140°C
Temperature °C (continuous term use):	-40...+80°C

## CERTIFICATES:

Certificate FI 42207. Our Ref. HEL-CERT250100020-01.